

## CF0111 MULTIMODE SINGLE CHANNEL VIDEO ONLY LINK

**The CFO First Mile series provides high quality reliable transmission of video for CCTV applications such as security and surveillance.**

CF0111 link offers a zero delay video transmission in an effective size – the CPT111 mini transmitter can be attached directly to a surveillance camera video output.

The single channel CRR111 receiver card occupies one slot either in a standard 19" CSR installation frame, or in CMA stand-alone wall mount adapter.

Depending on the attenuation of the optical signal path, high quality video pictures can be achieved over distances of 3 to 4 km on multimode optical fibre without the need for video amplifiers or line correction equipment.

The CF0111 link is compatible with all CFO system mechanics, and as with all CFO platform products, the unit meets all international EMC and environmental requirements.



**CF0113 link is compatible with the CF0111 link, and they can be used in any combination.**



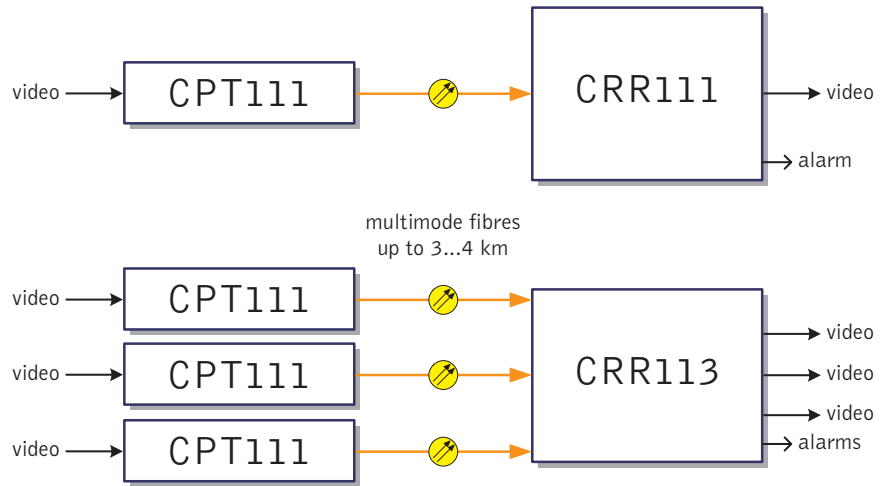
# Video Link

**CF0111**

## FEATURES AND BENEFITS

- Low cost video transmission
- High performance uncompressed zero delay video
- PAL/NTSC/CVBS video
- Transmission on one multimode fibre up to 3...4 km
- Fault alarm output in CRR module
- 1 channel mini module transmitter and 1 channel receiver card
- AGC standard - no adjustment required
- Compatible with all CFO installation systems
- International EMC and environmental conformance

## BLOCK DIAGRAM



## TECHNICAL SPECIFICATIONS (Typical values unless otherwise stated)

Parameter	Specification	Note	Parameter	Specification	Note
<b>Optical</b>			<b>General</b>		
Output power	-12 dBm -16 dBm	CPT111, 62.5 µm fibre CPT111, 50 µm fibre	Supply voltage	10.5...14 V DC	
Received power (min)	-27 dBm	CRR111	Current consumption	100 mA 200 mA	CPT111 CRR111
Wavelength	860 nm		Dimensions (H x W x D)	19 • 19 • 77 mm 3U • 5HP • 190 mm	CPT111 CRR111
<b>Video</b>			Weight	0.2 kg 0.3 kg	CPT111 CRR111
Number of channels	1		<b>Connectors</b>		
Impedance	75 ohm		Video	BNC male BNC female	CPT111 CRR111
Level	1.0 Vp-p		Optical	ST	
Gain	± 10 %	1 V	Operating voltage	power leads	CPT111
Clipping level	1.5 Vp-p		<b>Alarm signals</b>		
Bandwidth	10 MHz	-3 dB	Missing video sync	B1,B2,B3	CRR111
Frequency response	1 dB	10Hz...5 MHz	Operating temperature	-10...+55 °C	
C/L gain	10 %		Storage temperature	-30...+70 °C	
C/L delay	10 ns		Humidity	0...95 %	non condensing
Differential gain	5 %		Emission	EN 50081-1 EN 55022 B	CPT111 CRR111, 113
Differential phase	2 °		Immunity, Standard	EN 50082-1	CPT111
S/N ratio	> 65 dB  > 55 dB	short link, 62.5 µm fibre @14 dB link budget, 62.5 µm fibre	Immunity, Enhanced	EN 50082-2	CPT111
			Immunity	EN 50130-4	CRR111, 113

### TELESTE VIDEO NETWORKS

P.O. BOX 323, FIN-20101 TURKU, FINLAND  
PHONE +358-2-2605 611, FAX +358-2-2605 880

info.vn@teleste.com

www.teleste.com

CF0111 V.1 04/06