

CF0113 MULTIMODE TRIPLE CHANNEL VIDEO ONLY LINK

The CFO First Mile series provides high quality reliable transmission of video for CCTV applications such as security and surveillance.

CF0113 link offers zero delay video transmission in an effective size, standard CRT113 transmitter and CRR113 receiver cards contain individual optics for three different video channels.

The triple channel CF0113 receiver card occupies one slot either in a standard 19" CSR installation frame, or in CMA stand-alone wall mount adapter.

Depending on the attenuation of the optical signal path, high quality video pictures can be achieved over distances of 3 to 4 km on multimode optical fibre without the need for video amplifiers or line correction equipment.

The CF0113 link is compatible with all CFO system mechanics, and as with all CFO platform products, the unit meets all international EMC and environmental requirements.



CPT111 mini transmitter is compatible with CRR113 video receiver. An extremely compact size of the CPT111 allows a direct attachment to a surveillance camera.



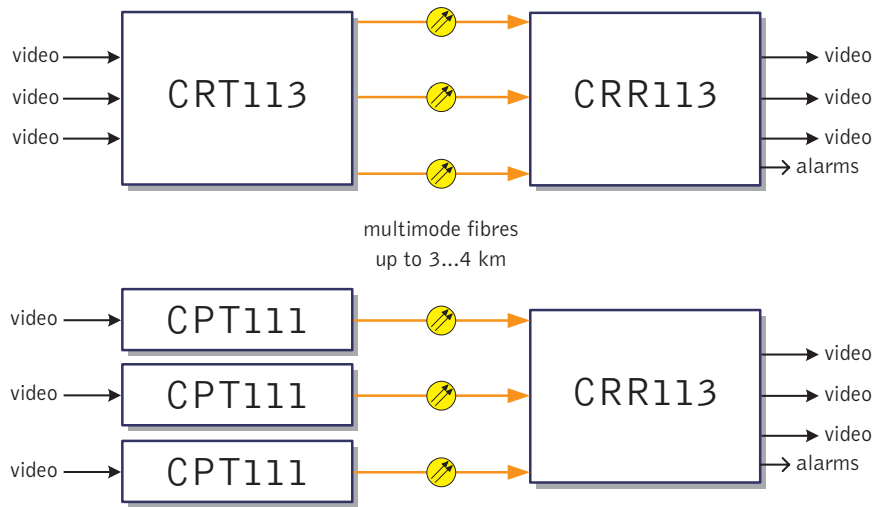
Video Link

CF0113

FEATURES AND BENEFITS

- Low cost video transmission
- High performance uncompressed zero delay video
- PAL/NTSC/CVBS video
- Transmission on three multimode fibres up to 3...4 km
- Fault alarm output in CRT/CRR module
- 3 channel transmitter and receiver cards
- AGC standard - no adjustment required
- Compatible with all CFO installation systems
- International EMC and environmental conformance

BLOCK DIAGRAM



TECHNICAL SPECIFICATIONS (Typical values unless otherwise stated)

Parameter	Specification	Note	Parameter	Specification	Note
Optical			General		
Output power	-12 dBm -16 dBm	CRT113, 62.5 µm fibre CRT113, 50 µm fibre	Supply voltage	10.5...14 V DC	
Received power (min)	-27 dBm		Current consumption	360 mA 450 mA	CRT113 CRR113
Wavelength	860 nm		Dimensions (H x W x D)	3U • 5HP • 190 mm	
Video			Weight	0.4 kg	
Number of channels	3		Connectors		
Impedance	75 ohm		Video	BNC female	
Level	1.0 Vp-p		Optical	ST	
Gain	± 10 %	1 V	Alarm signals		
Clipping level	1.5 Vp-p		Missing video sync	B1,B2,B3	CRR113
Bandwidth	10 MHz	-3 dB	Operating temperature	-10...+55 °C	
Frequency response	1 dB	10Hz...5 MHz	Storage temperature	-30...+70 °C	
C/L gain	10 %		Humidity	0...95 %	non condensing
C/L delay	10 ns		Emission	EN 50081-1 EN 55022 B	CPT111 CRR111, 113
Differential gain	5 %		Immunity, Standard	EN 50082-1	CPT111
Differential phase	2 °		Immunity, Enhanced	EN 50082-2	CPT111
S/N ratio	> 65 dB > 55 dB	short link, 62.5 µm fibre @14 dB link budget, 62.5 µm fibre	Immunity	EN 50130-4	CRR111, 113

TELESTE VIDEO NETWORKS

P.O. BOX 323, FIN-20101 TURKU, FINLAND
 PHONE +358-2-2605 611, FAX +358-2-2605 880
 info.vn@teleste.com



www.teleste.com

CF0113 v.1 04/06