



PRODUCT FAMILY	DESCRIPTION
LGX OPTICAL MODULES	LGX DWDM O-BAND MODULES
FEATURES	
	<ul style="list-style-type: none"> <li>&gt;&gt; Excellent isolation</li> <li>&gt;&gt; Field proven full-blown technology</li> <li>&gt;&gt; Low insertion loss over whole temperature range</li> <li>&gt;&gt; O-band channels have optimized wavelength allocation to minimize optical crosstalk</li> <li>&gt;&gt; A pair of 4-wavelength versions can be cascaded to have one 8 channel version</li> </ul>

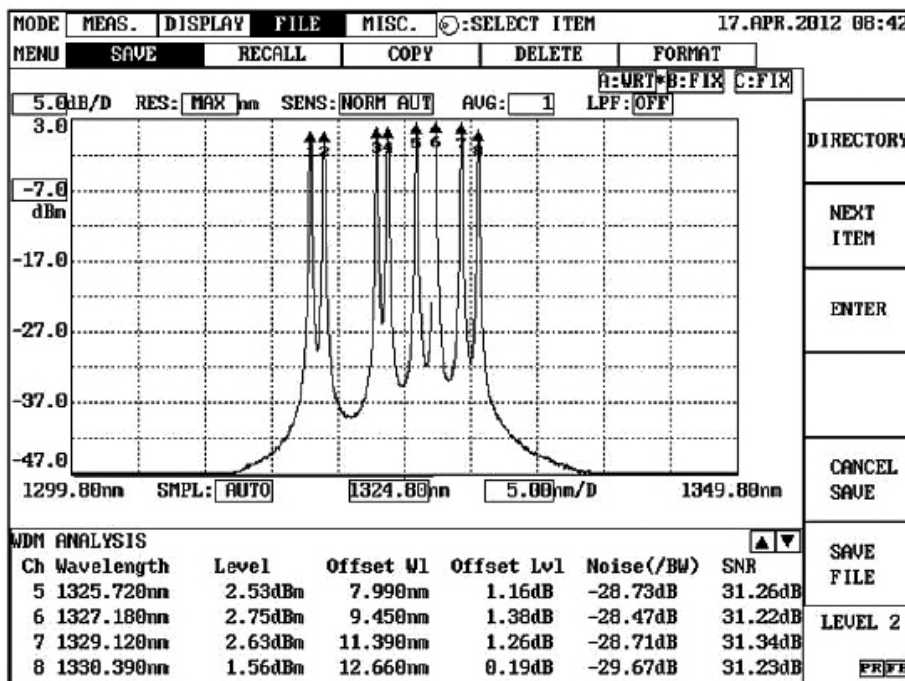
**SPECIFICATIONS**

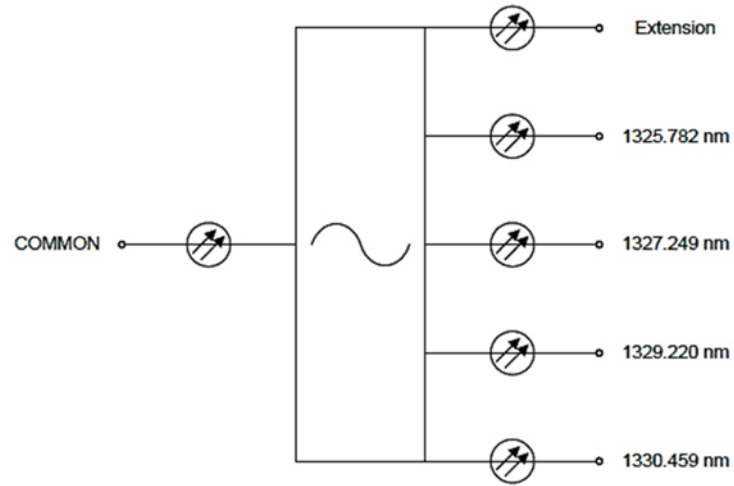
LGX592 O1 - O-band 4-ch DWDM MULTIPLEXER/ DEMULTIPLEXER			
PARAMETER	VALUE	PARAMETER	VALUE
ENCLOSURE	Single width LGX module	OPERATING WAVELENGTH RANGE	1270...1350 nm
WAVELENGTHS		1310 nm 1325.782 nm (226.125 THz) 1327.249 nm (225.875 THz) 1329.220 nm (225.540 THz) 1330.459 nm (225.330 THz)	
INSERTION LOSS OF DWDM PORTS	1.3 dB (max. 1.9 dB)	INSERTION LOSS OF 1310 NM PORT	1.1 dB (max. 1.7 dB)
NON-ADJACENT CHANNEL ISOLATION	40 dB	1310 NM PORT ISOLATION	12 dB
ADJACENT CHANNEL ISOLATION	25 dB	CHANNEL BANDWIDTH	0.4 nm
DIRECTIVITY	45 dB	RETURN LOSS	45 dB
NUMBER OF OPTICAL PORTS	6	MAX. OPTICAL POWER	300 mW

LGX592 O2 - O-band 4-ch DWDM MULTIPLEXER/ DEMULTIPLEXER			
PARAMETER	VALUE	PARAMETER	VALUE
ENCLOSURE	Single width LGX module	OPERATING WAVELENGTH RANGE	1270...1350 nm
WAVELENGTHS		1310 nm 1323,587 nm (226,500 THz) 1322,828 nm (226,630 THz) 1318,725 nm (227,335 THz) 1317,740 nm (227,505 THz)	
INSERTION LOSS OF DWDM PORTS	1.3 dB (max. 1.9 dB)	INSERTION LOSS OF 1310 NM PORT	1.1 dB (max. 1.7 dB)
NON-ADJACENT CHANNEL ISOLATION	40 dB	1310 NM PORT ISOLATION	12 dB
ADJACENT CHANNEL ISOLATION	25 dB	CHANNEL BANDWIDTH	0.4 nm
DIRECTIVITY	45 dB	RETURN LOSS	45 dB
NUMBER OF OPTICAL PORTS	6	MAX. OPTICAL POWER	300 mW

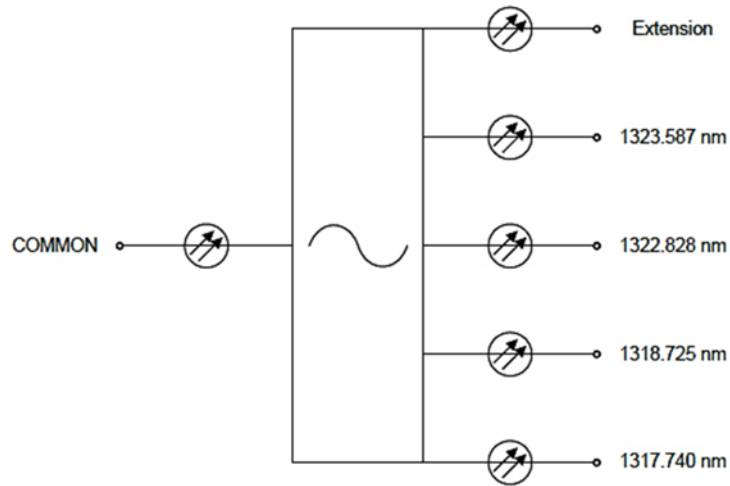
## ” OPTIMIZED...

It is not self-evident where O-band channels should be located. Our O-band channels have optimized wavelength allocation to minimize optical crosstalk. In case you are interested in this - we would be happy to tell you more!

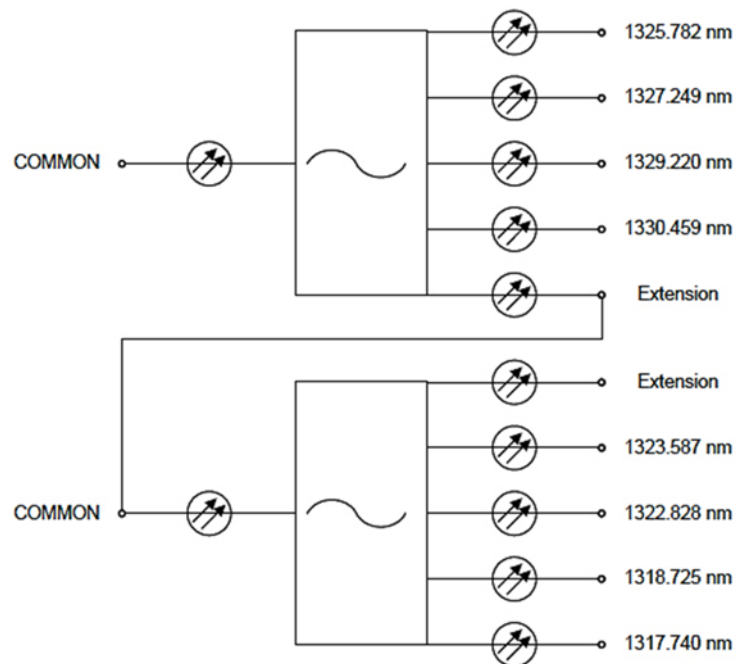




BLOCK DIAGRAM: OPTION 1 - LGX592 O1



BLOCK DIAGRAM: OPTION 2 - LGX592 O2



BLOCK DIAGRAM: OPTION 1 AND 2 CASCADED TO ACHIEVE 8-CHANNEL APPLICATION

GENERAL SPECIFICATION			
PARAMETER	VALUE	PARAMETER	VALUE
OPTICAL CONNECTOR	SC/APC	DIMENSION - SINGLE WIDTH MODULE	130(100) x 160 x 29 mm (h x d x w)
DIMENSION - DOUBLE WIDTH MODULE	130(100) x 160 x 58 mm (h x d x w)	WEIGHT - SINGLE WIDTH MODULE	0.2 kg
WEIGHT - DOUBLE WIDTH MODULE	0.3 kg	TEMP. RANGE	-20...+75 °C
OPERATING RELATIVE HUMIDITY	0...85 %		