

LAST MILE &
CONNECTED
HOME



Outdoor RF passives

30-SERIES SPLITTER AND TAPS

The 30-series Splitters, Taps and Plug-in modules are high performance passives for splitting signal and power in coaxial branch and distribution networks.

The series is loaded with great features and supports our plug-in module technology, furthermore it comes mission-ready for 1218 MHz operation.

30-series features

- High performance with a frequency range up to 1218 MHz.
- Intended for use in branch and distribution networks.
- Nominal current 12A @ 65VAC.
- Plug-in modules in various dB values.
- 5/8" or PG11 connections available.
- Test point/probe monitoring connections.

One of Teleste's unique and award winning superior performance passives designed for easy installation and reliability.

TELESTE

GENERAL SPECIFICATIONS - ALL MODELS OF O-SERIES

Nominal impedance	75 Ohm	Frequency range	5-1218 MHz
Operating temperature range	-40 C° to +55 C°	Output connectors	PG11 or 5/8 "
Enclosure classification	IP66/10PSI	EMC compatibility	EN50083-2, Class A
Hum for Splitters and Taps nominal current 8A@65VAC		Hum for Splitters and Taps nominal current 12A@65VAC	
5 - 15	60 dBc	5 - 15	65 dBc
15 - 1006	70 dBc	15 - 1006	75 dBc
1006 - 1218	70 dBc	1006 - 1218	65 dBc
Surge immunity ⁽²⁾ - Each port (Min.)		1 kV	
Dimensions (h x w x d) - 3-port mechanics		125 mm x 106 mm x 60 mm	
Weight - 3-port mechanics		380 g	

NOTES:

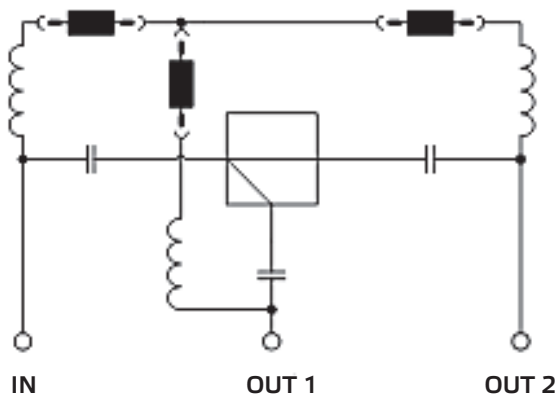
(1) At F≥40 MHz -1.5 dB per octave, with a minimum of 15 dB

(2) 1 kV, 1,2/50 μs Surge voltage according to IEC 61000-4-5, EMC (class 2, level 2) applied between the inner and outer conductor of each port

(3) RF performances for the plug-in modules are defined/measured with the back box (3ODC001)

BLOCK DIAGRAM AND PICTURE GALLERY

3OSP402
3ODC001--xx

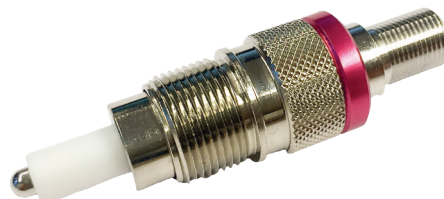


OUTDOOR RF PASSIVES / 30-SERIES

ACCESSORIES

KS Port Test Adaptor for CATV

Designed to allow extraction of test signals and AC power from a female KS interface. The contact probe is spring loaded axially to accommodate a wide range of seizure mechanisms and dimensions. The 5/8" male interface employs a quick disconnect interface to eliminate threading. This allows quick insertion or removal.



ORDERING INFORMATION

Splitter and Taps:

3OSP402-xx	2-way splitter
3OPS603-xx	3-way splitter
3OSP803-xx	3-way splitter, unbalanced
3OSP804-xx	4-way splitter
3ODC001-xx	1-way Tap plug-in for 3ODC1-PM-xx modules

xx = 5/8" or PG11 connector configuration

Configuration examples:

- a) Ordering of 5/8" connector configuration is denoted as follows: 3OSP402-5/8
- b) Ordering of PG11 connector configuration is denoted as follows: 3OSP402-PG11

Plug-in Modules

3ODC001-PM-00	1-way plug-in module, 0 dB
3ODC001-PM-04	1-way plug-in module, 4 dB
3ODC001-PM-07	1-way plug-in module, 7 dB
3ODC001-PM-10	1-way plug-in module, 10 dB
3ODC001-PM-11	1-way plug-in module, 11 dB
3ODC001-PM-13	1-way plug-in module, 13 dB
3ODC001-PM-16	1-way plug-in module, 16 dB
3ODC001-PM-19	1-way plug-in module, 19 dB
3ODC001-PM-22	1-way plug-in module, 22 dB

Accessories:

AD-041L	KS port test adaptor for CATV (having extended thread length and a red colour ring). Attenuation: 20 dB/DC block. Nickel plated.
KDC310	Adapter PG11 - 3.5/12
KDC312	Adapter PG11 - IEC (f)
AD-043	Adapter 5/8 male - IEC female M14

TELESTE

TELESTE CORPORATION

www.teleste.com

30-SERIES_180606

Copyright © 2018 Teleste Corporation. All rights reserved. Teleste and the Teleste logo are registered trademarks of Teleste Corporation. Other product and service marks are property of their respective owners.

Teleste reserves the right to make changes to any features and specifications of the products without prior notice. Although the information in this document has been reproduced in good faith, the contents of this document are provided "as is". Teleste makes no warranties of any kind in relation to the accuracy, reliability or contents of this document, except as required by applicable law.