

## CF0411 MULTIMODE 4 CHANNEL LOW COST VIDEO ONLY LINK

The CF0411 link provides low cost short haul uni-directional transmission of 4 video channels on 1 multimode optical fibre at 850 nm for up to 1...1.5 km.

The product utilises the latest uncompressed digital technology to provide very high performance cost effective video transmission. All common video formats are supported from the same unit which is compatible with all CFO installation systems and can be used in standalone or rackmounted applications. As with all CFO platform products the CF0411 unit meets all international EMC and environmental requirements.



CMA011 module adapter available for stand-alone installation.



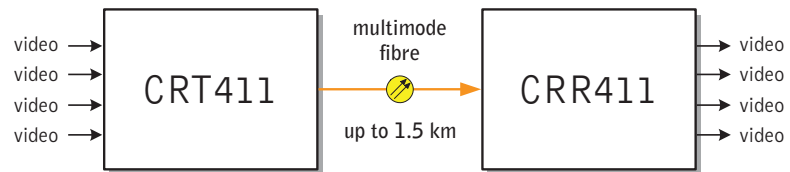
## 4 Channel video link

**CF0411**

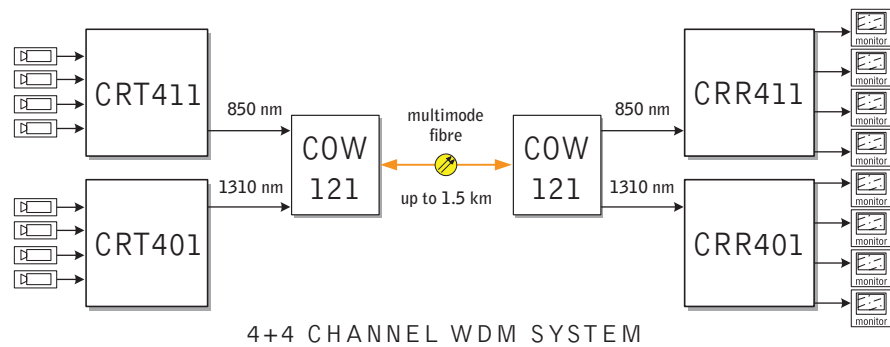
### FEATURES AND BENEFITS

- Four channel video multiplexer
- High performance uncompressed digital video
- PAL/NTSC/CBVS
- Simple low cost short haul link
- Supports all video types in same unit
- Uni-directional video transmission on 1 multimode fibre up to 1...1.5 km depending on fibre bandwidth
- True Plug and Play
- Same units for rackmount or standalone
- Mechanically compact and ruggedised
- Compatible with all CFO installation systems
- International EMC and environmental conformance
- CE approved

### BLOCK DIAGRAM



### APPLICATION EXAMPLE



### TECHNICAL SPECIFICATIONS (Typical values unless otherwise stated)

Parameter	Specification	Note	Parameter	Specification	Note
<b>Optical</b>			<b>General</b>		
Output/input wavelength	850 nm		Supply voltage	10.5...14 VDC	regulated
Output power	-4 dBm	50/125 µm	Current consumption (max)	550 mA	CRT411
Spectral width	3 nm		Current consumption (max)	450 mA	CRR411
Received power (min)	-20 dBm	to meet specifications	Dimensions (H x W x D)	3U • 5HP • 190 mm	
Link	1 km	dep. fibre bandwidth	Weight	0.7 kg	
Bit Rate (forward)	540 Mbps	CRT to CRR	<b>Connectors</b>		
<b>Video</b>			Video	BNC female	
Number of channels	4	composite	Optical	ST	
Sampling frequency	13.5 MHz		Operating temperature	-10...+55 °C	
Sampling resolution	8 bits		Storage temperature	-30...+70 °C	
Source and load impedance	75 ohm		Humidity	0...95 %	non condensing
Input and output signal levels	1 Vp-p		Emissions	EN 50081-1	
Input overload level	1.5 Vp-p	DC component	Susceptibility	EN 50130-4	
Insertion gain	± 10 %	1 V	Other environmental	upon request	
Bandwidth	5.5 MHz				
C/L gain inequality	3 %				
C/L delay inequality	90 ns				
Differential gain	1 %				
Differential phase	1 °				
S/N ratio	60 dB	unified, weighted			

### TELESTE VIDEO NETWORKS

P.O. BOX 323, FIN-20101 TURKU, FINLAND  
 PHONE +358-2-2605 611, FAX +358-2-2605 880  
[info.vn@teleste.com](mailto:info.vn@teleste.com)

[www.teleste.com](http://www.teleste.com)

CF0411 V.1.03/07