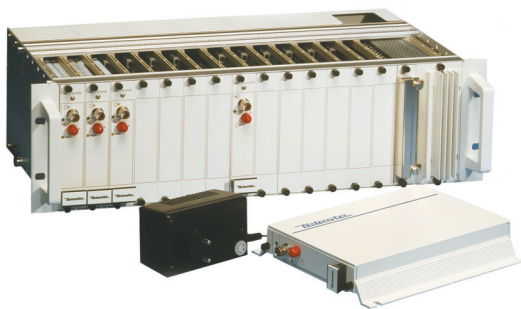


CF0 SERIES - CF0500

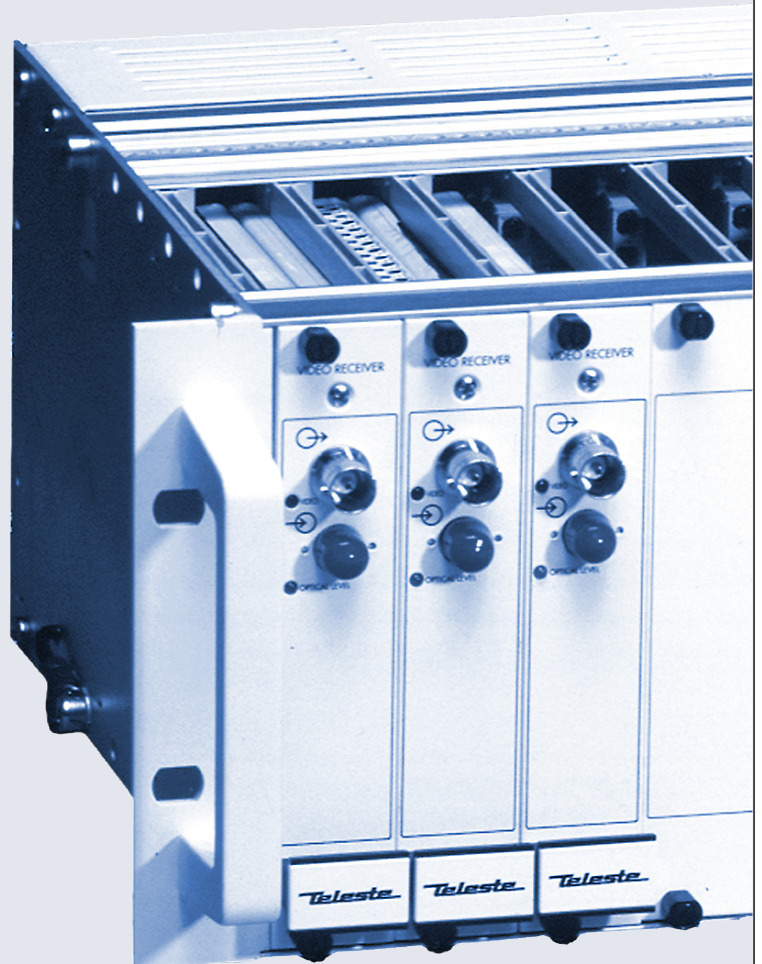
SINGLE CHANNEL SINGLEMODE FIBRE TRANSMISSION

The Teleste CF0500 Fibre Optic Video Transmission provides high quality reliable transmission of video signals for CCTV applications such as security and surveillance. Depending on the attenuation of the optical signal path, high quality video pictures can be achieved over distances of up to 60...80km on single mode optical fibre without the need for video amplifiers or line correction equipment.



FEATURES AND BENEFITS

- High Quality Real Time Video Transmission
- Uni-directional on 1 Singlemode Fibre up to 60...80km
- Full Diagnostic Operation LED's
- Fault Alarm Outputs
- Dual Subcarrier Audio/Data Transmission Available with Optional Subcarrier Units
- AGC Standard - No Adjustment Required
- Upgradeable to CF0700 Series Multichannel Link - No Need to Change the Subrack
- Same Units for Rackmount or Standalone
- Compatible With All CFO Installation Systems
- CE Approved



Video x 1

Audio/Data x 2

Subcarrier option

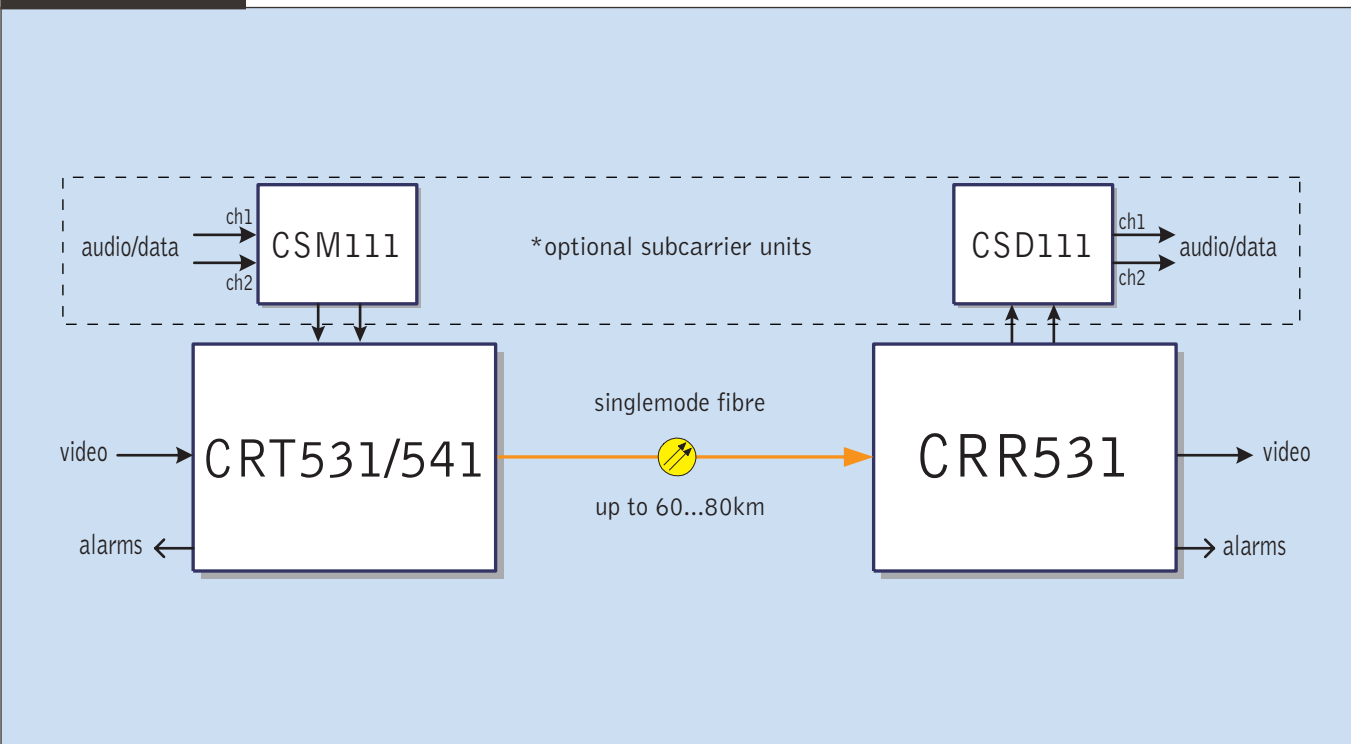
CFO SERIES - CF0500
SINGLE CHANNEL SINGLEMODE FIBRE TRANSMISSION



SYSTEM SPECIFICATIONS (Typical values unless otherwise stated, measured with video filters off)

PARAMETER	VALUE	UNIT	COMMENTS	PARAMETER	VALUE	UNIT	COMMENTS
Optical				Mechanical			
Wavelength	1310	nm		Dimensions (H x W x D)	128 x 25 x 190mm		
Output Power (CRT531)	-7	dBm		Weight	0.5	kg	
Output Power (CRT541)	+2	dBm		Connectors			
Received Power (Min)	-27	dBm		Video	BNC female		
Received Power (Max)	-7	dBm		Optical	FC/PC		
Bit Rate (Forward)	540	Mbps	CRT to CRR	Alarms			
Optical Fibre	9/125	µm	single mode	Video Detect	B		CRT531/541 & CRR531
Video				Missing Optical Input Sign.	B		CRR531
Number of Channels	1		uni-directional	Environmental			
Source and Load Impedance	75	ohm		Operating Temperature	-10...+55	°C	
Return Loss	20	dB		Storage Temperature	-30...+70	°C	
Input Overload	1.5	Vp-p		Humidity	0...95	%	non condensing
Insertion Gain	± 10	%	1 V	Electromagnetic Compatibility (EMC)			
Frequency Response	1	%	10Hz...5Mhz, filters off	Emission	EN 50081-1		
Bandwidth	10	MHz	-3dB, video filter off	Immunity, Standard	EN 50082-1		
Short Time Distortion	1	%	2T Pulse 'K' rating	Immunity, Enhanced	EN 50082-2		
Luminance Non Linearity	3	%					
C/L Gain	10	%	filters off				
C/L Delay	5	ns	filters off				
Differential Gain	3	%					
Differential Phase	2	°					
Electrical							
Supply Voltage	10.5...14	V DC					
Current Consumption	150	mA	CRT531				
	120	mA	CRT541				
	260	mA	CRR531				

BLOCK DIAGRAM



CONTACT OFFICES

TELESTE VIDEO NETWORKS

Finland, Turku (Headquarters & Nordic)
 UK, Cambridge (UK & International)
 USA, Georgetown TX (Americas)
 USA, Crownsville MD (US East)
 USA, Landera Ranch CA (US West)
 Germany, Bonn (Central Europe)
 France, Magny le Hongre (France)
 Belgium, Brussels (Benelux)
 Spain, Madrid (Spain)
 China, Sanghai (China)
 Singapore (APAC)

Tel. +358 2 2605 611 Fax. +358 2 2605 880
 Tel. +44 1223 505 111 Fax. +44 1223 518 370
 Tel. +1 512 868 2009 Fax. +1 512 868 8112
 Tel. +1 410 923 4388 Fax. +1 410 923 0457
 Tel. +1 949 388 5070 Fax. +1 949 388 5159
 Tel. +49 7000 2288 366 Fax. +49 7000 2288 529
 Tel. +33 1 6463 3223 Fax. +33 1 6043 6710
 Tel. +32 2 7110 090 Fax. +32 2 7110 099
 Tel. +34 91 434 1840 Fax. +34 91 501 8090
 Tel. +86 21 2890 3099 Fax. +86 21 2890 3097
 Tel. +65 97 33 0212 Fax. +65 6779 8924

info.vidnet@teleste.com
 www.teleste.com/cctv

cfo500tib_v2

Copyright © TELESTE CORPORATION 2002. We reserve the right to make changes without prior notice.