

## CMA011/021/031 CMA MODULE ADAPTERS FOR STAND-ALONE INSTALLATIONS OF CFO SERIES UNITS

**The module adapters are intended for stand-alone installations of CFO series units.**

CMA011 is used for installation of one 5HP wide CFO unit. CMA021 is used for installation of one 10HP wide CFO unit or alternatively it can be used for installation of two 5HP wide CFO units. CMA031 is used for installation of one 15HP wide CFO unit or alternatively it can be used for installation of three 5HP (or one 5HP + one 10HP) wide CFO units.

The CFO unit's alarm signals can be obtained from the connector at the rear of the module adapter.

The supply voltage for CMA module adapter is provided by a CPS series mains adapter.



**CMA011 is used for stand-alone installation of one 5HP wide CFO unit. The Supply voltage for CMA011 module adapters is provided by a CPS22x mains adapters.**



## Module adapters

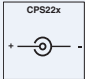

### CMA011/021/031

#### FEATURES AND BENEFITS

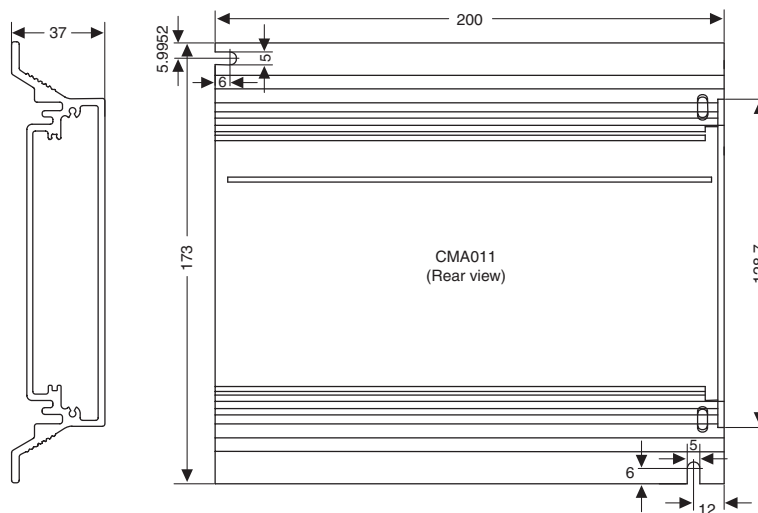
- Stand-alone installation for CFO series units
- CMA011: Installation for one 5HP wide CFO series unit
- CMA021: Installation for 10HP wide CFO series units
- CMA031: Installation for 15HP wide CFO series units
- Alarm outputs by a rear connector
- +12 V DC Supply voltage provided by a CPS22x (for CMA011) or CPS23x (for CMA021/031) series mains adapter
- CE approved

#### TECHNICAL SPECIFICATIONS

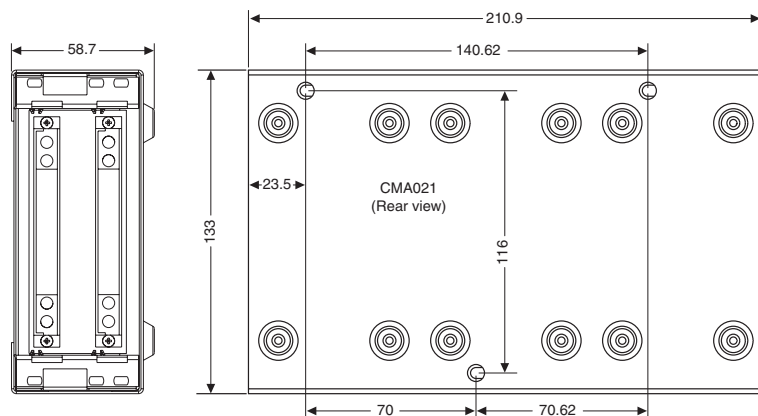
(Typical values unless otherwise stated)

Parameter	Specification	Note
<b>Power Supply</b>		
CPS221 230VAC	CMA011	Europe
CPS222 230VAC	CMA011	UK
CPS223 230VAC	CMA011	USA
CPS231/241 230VAC	CMA021/031	Europe
CPS232/242 230VAC	CMA021/031	UK
CPS233/243 115VAC	CMA021/031	USA
<b>Mechanical</b>		
Dimensions (H x W x D) mm	173 • 37 • 200 132.4 • 58.71 • 206.2 132.4 • 76.11 • 206.2	CMA011 CMA021 CMA031
Weight	0.7 kg 0.85 kg 1.0 kg	CMA011 CMA021 CMA031
<b>Connectors</b>		
Supply voltage	DC-socket 2.1 mm 2-pin removable screw terminal	CMA011 CMA021/031
	 	
Alarms/Controls	D9 male HD15 female	CMA011 CMA021/031

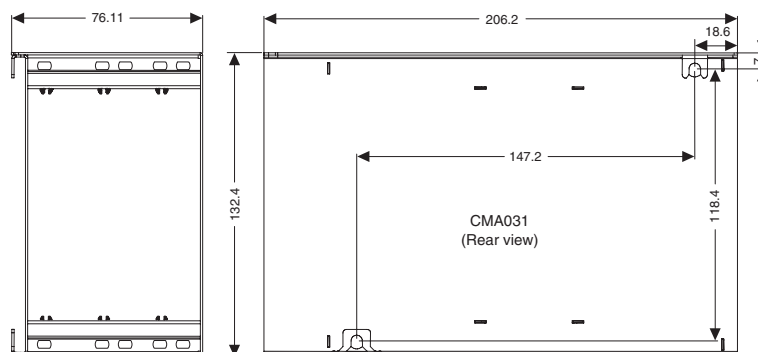
#### CMA011 DIMENSIONS



#### CMA021 DIMENSIONS



#### CMA031 DIMENSIONS



### TELESTE VIDEO NETWORKS

P.O. BOX 323, FIN-20101 TURKU, FINLAND  
 PHONE +358-2-2605 611, FAX +358-2-2605 880  
 info.vn@teleste.com



www.teleste.com

CMA0x1 V.1 04/06



Copyright © TELESTE CORPORATION. We reserve the right to make changes without prior notice.