

## INSTALLATION FRAMES AND CPS372 POWER SUPPLY UNIT

The CSR014 and CSR114 are 19" installation frames for the CFO series modules. The aluminium die-cast housing together with the vertical positioning of the installed modules provide optimal cooling and ventilation giving a very clear and reliable overall system. The need for interconnection cables is minimised by equipping the frame with a passive base plate containing power, alarm and control bus connections.

The CSR014 is a front-loaded and the CSR114 a rear-loaded installation frame. There are 14 slots for 5 HP wide units and one 4 HP wide slot for controller/alarm unit. Empty installation slots can be covered with the cover plates.

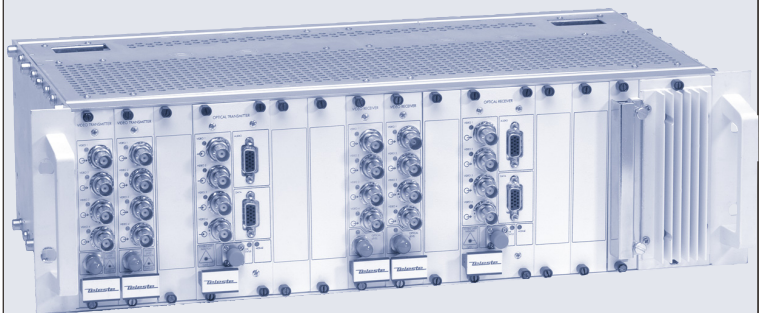
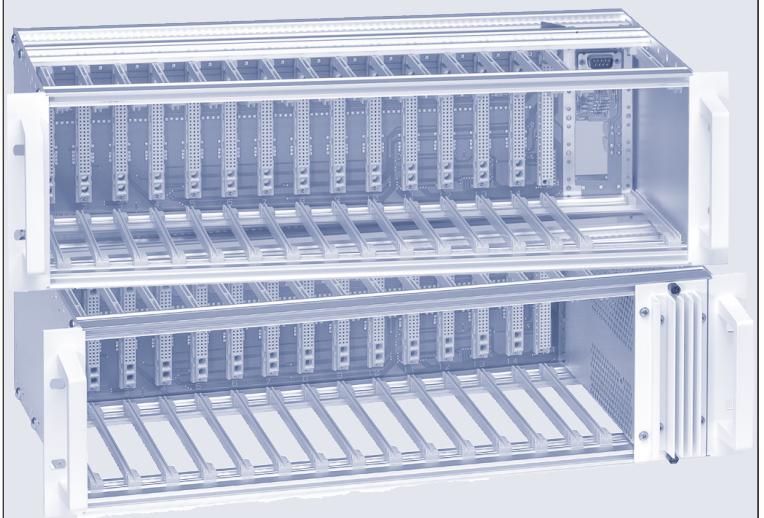
The supply voltage is to be provided by a CPS372 power supply unit.

The CSR114 is a rear-loading version of the CSR014, having mounting handles and power supply at the front side of the frame and slots for CFO units at rear side of the frame. In all other aspects, it resembles the CSR014 model.



### FEATURES AND BENEFITS

- Installation Frame for the CFO Series Modules
- Installation in a Standard 19" Installation Cabinet
- Place for 14 CFO Modules and 1 Control/Alarm Card
- Robust and Reliable Mechanics
- Supply Voltage Provided by a CPS372 Power Supply
- International EMC and Environmental Conformance
- CE Approved



# CFO ACCESSORIES - CSR014 / 114 INSTALLATION FRAMES AND CPS372 POWER SUPPLY UNIT

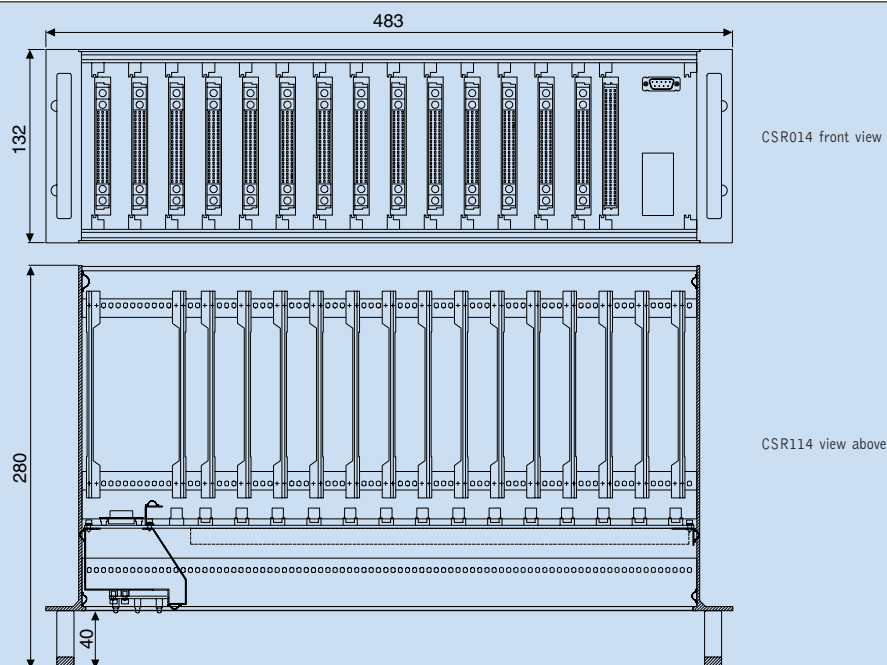


## SYSTEM SPECIFICATIONS (Typical values unless otherwise stated)

PARAMETER	VALUE	UNIT	COMMENTS
<b>CSR014 &amp; 114 Installation Frame:</b>			
<b>Card Slots</b>			
Standard Card Slots	14	pcs	5HP wide
Controller Slot	1	pcs	4HP wide
Power Supply	1	pcs	10HP wide
<b>Cover Plates</b>			
CCP004 (4HP Wide)	1	pcs	for controller slot
CCP005 (5HP Wide)	max 14	pcs	for standard slot
CCP020 (20HP Wide)	max 3	pcs	for 4 x standard slot
<b>Connectors</b>			
Backup Power (in/out)	2	pcs	2-pin screw terminal
<b>Power Supply Unit</b>			
CPS372	1	pcs	primary
<b>Mechanical</b>			
Dimensions (H x W x D)	19" x 3U x 240 mm 132 x 483 x 280 mm including handles		
Weight	3.5	kg	
<b>Environmental</b>			
Operating Temp.	-10...+55 °C		
Storage Temp.	-30...+70 °C		
Humidity	0...90 %		non-condensing
<b>Electromagnetic Compatibility (EMC)</b>			
Emission	EN 50081-1		CSR014/114
Immunity	EN 50082-1		CSR014
	EN 50082-2		CSR114

PARAMETER	VALUE	UNIT	COMMENTS
<b>CPS372 Power Supply Unit:</b>			
<b>AC Input</b>			
AC Input	90...264	VAC	
Frequency	45...450	Hz	
Power	100	W	
<b>DC Output</b>			
DC Output	12	VDC	
Maximum Load Current	6	A	
<b>Alarm Signals</b>			
PSU Status	12.3	VDC	
<b>Power Cord</b>			
CPC121	1	pcs	Europe
CPC122	1	pcs	UK
CPC123	1	pcs	USA
<b>Connectors</b>			
AC Input	IEC		
DC Output	D9 female		
<b>Mechanical</b>			
Dimensions (H x W x D)	128 x 190 x 50 mm		10HP wide
Weight	0.7	kg	
<b>Environmental</b>			
Operating Temp.	-10...+55 °C		
Storage Temp.	-30...+70 °C		
Humidity	0...90 %		non-condensing
<b>Electromagnetic Compatibility (EMC)</b>			
Emission	EN 50081-1		
Immunity	EN 50082-1		

## DIMENSIONS



## CONTACT OFFICES

### TELESTE VIDEO NETWORKS

Finland, Turku (Headquarters & Nordic)  
 UK, Cambridge (UK & International)  
 USA, Georgetown TX (Americas)  
 USA, Crownsville MD (US East)  
 USA, Carlsbad CA (US West)  
 Germany, Bonn (Central Europe)  
 France, Magny le Hongre (France)  
 Belgium, Brussels (Benelux)  
 Spain, Madrid (Spain)  
 China, Shanghai (China)  
 Singapore (APAC)

Tel. +358 2 2605 611 Fax. +358 2 2605 880  
 Tel. +44 1223 505 111 Fax. +44 1223 518 370  
 Tel. +1 512 868 2009 Fax. +1 512 868 8112  
 Tel. +1 410 923 4388 Fax. +1 410 923 0457  
 Tel. +1 760 434 7726 Fax. +1 760 434 7736  
 Tel. +49 7000 2288 366 Fax. +49 7000 2288 529  
 Tel. +33 1 6463 3223 Fax. +33 1 6043 6710  
 Tel. +32 2 7110 090 Fax. +32 2 7110 099  
 Tel. +34 91 434 1840 Fax. +34 91 501 8090  
 Tel. +86 21 6888 6212 Fax. +86 21 6888 6216  
 Tel. +65 97 33 0212 Fax. +65 6779 8924

info.vidnet@teleste.com  
 www.teleste.com/cctv

csrx14\_cps372tib\_v1  
 03/2003