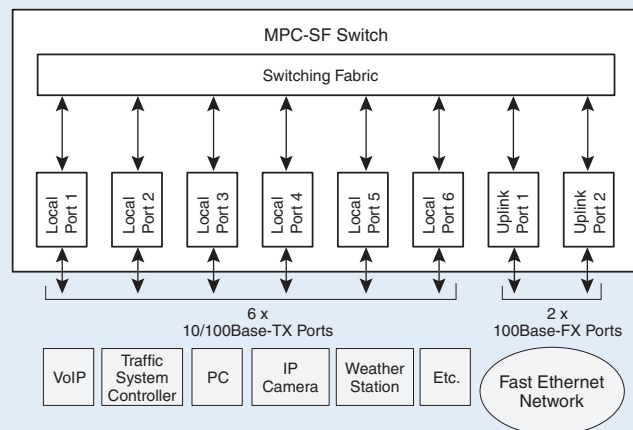


MPC-SF EIGHT PORT FAST ETHERNET SWITCH



easi **MPC**

MPC is a common nominator for compact size stand-alone units in the EASI® MP-X platform. The MPC-SF is a robust, field-hardened 8-port layer-2 managed Fast Ethernet Switch.



The MPC-SF family switches are designed for Ethernet networks in mission-critical real-time control applications as well as for LAN extensions.

Installations are made easy with the MDI/MDIX and auto-polarity supported by the 10/100Base-TX local ports.

The up-link interfaces, either one or two, support optical 100Base ports.

The optical interface is available for multimode and singlemode fibres in

variety of link budgets and optical wavelengths. In addition to standard 1310 nm and 1550 nm outputs, the MPC-SF can be equipped with ITU-T CWDM grid compliant output.

The MPC-SF supports fast network redundancy with link recovery, either based on FRNT 0 or RSTP/STP.

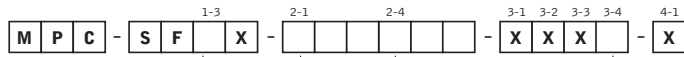
High multicast load is handled by the IGMP snooping feature.

Management of the MPC-SF switches is easy and is done via WebUI or IP Configuration tool.

Excellent real time properties are offered through both layer 2 and layer 3 priority support with four priority queues (QoS).

The MPC-SF switches are field hardened for enhanced environmental and temperature performance.

PART NUMBERING



1-3 Networking

I: Dual Up-Link
S: Single Up-Link
X: No Up-Link

2-1 Network Interface 1 2-4 Network Interface 2

F11: CWDM, 1470nm, 2xLC
F12: CWDM, 1490nm, 2xLC
F13: CWDM, 1510nm, 2xLC
F14: CWDM, 1530nm, 2xLC
F15: CWDM, 1550nm, 2xLC
F16: CWDM, 1570nm, 2xLC
F17: CWDM, 1590nm, 2xLC
F18: CWDM, 1610nm, 2xLC
FS1: MMF, 2km, 2xLC
FS2: SMF, 1310nm, 30km, 2xLC
FS3: SMF, 1550nm, 20km, 2xLC
FL2: SMF, 1310nm, 60km, 2xLC
FL3: SMF, 1550nm, 100km, 2xLC
FE3: SMF, 1550nm, 120km, 2xLC
FSA: SMF, 1310Tx/1550Rx, 20km, 1xLC
FSB: SMF, 1550Tx/1310Rx, 20km, 1xLC
FLA: SMF, 1310Tx/1550Rx, 60km, 1xLC
FLB: SMF, 1550Tx/1310Rx, 60km, 1xLC
XXX: Not Available

3-4 Powering

A: AC/DC Adapter, Euro
B: AC/DC Adapter, UK
C: AC/DC Adapter, USA
X: No AC/DC Adapter

FAST ETHERNET SWITCH

FEATURES AND BENEFITS

- 6 x 10/100Base-TX local ports
- Auto-negotiation and auto sensing of speed and full duplex per TX port
- 2 x 100Base-FX full duplex up-link ports
- Small form pluggable optics (SFP), several link budget variations available
- Led indicators for each port
- FRNT v0 – redundant ring
- RSTP with STP fallback
- IGMP v1, v2 & v3 snooping
- VLAN support; port based VLAN with tag removal possibility
- SNMP v2c
- WebUI (Q2 2007)
- MAC address filtering per port
- Port mirroring
- QoS based on layer 2 (IEEE802.1p) and layer 3 (IP ToS)
- Four priority queues
- Feasible for field hardened operation (-34 ...+74 °C)
- Mechanically compact and ruggedised

TECHNICAL SPECIFICATIONS (Typical values unless otherwise stated)

Parameter	Specification	Note	Parameter	Specification	Note
Optical			Management		
m/m 1310 nm	2 km	2 fibres	IP config tool	local via ethernet port	
s/m 1310 nm	30 / 60 km	2 fibres	WebUI	local via ethernet port & remote via network	
s/m 1550 nm	20 / 100 / 120 km	2 fibres	SNMP	remote via network	
CWDM (ITU G.694.2)	100 km	2 fibres	General		
s/m 1310/1550 nm	20 / 60 km	1 fibre	Supply voltage	10.5...14 V DC	
Ethernet			Power consumption	5 W 5,7 W 6,4 W	no fiber version one FX transceiver two FX transceivers
<u>Local ports</u>			Dimensions (H x W x D)	60 • 130 • 130 mm	(D without connectors)
Number of ports	6	full duplex	Weight	1 kg	
Standard	10/100Base-TX	CAT-5 / CAT-5e	Connectors	RJ-45 LC	CAT-5 (UTP) optical m/m & s/m
<u>Up-link ports</u>			Operating temperature	-34...+74 °C	field-hardened
Number of ports	1 or 2	full duplex	Storage temperature	-40...+80 °C	
Standard	100Base-FX	m/m & s/m fibre	Humidity	95 %	non condensing
<u>Protocols</u>			Vibration	EN50130-5	1995
802.3	10Base-T		Damp heat	BS2011	p2.1
802.3u	100Base-TX, -FX		Emissions	EN61000-6-4, CE, FCC	
802.1q	VLAN		Susceptibility	EN50130-4	
802.1d	STP		Safety	EN60950	
802.1w	RSTP				
802.1p	QoS	layer 2			
802.3p	QoS	layer 3 (IP ToS)			
802.3x	flow control				
IGMP	version 1, 2 & 3				
FRNT v0	redundant ring	proprietary protocol			
SNMP	version 2c				
DHCP		IP address adquisition			
FLHP		proprietary protocol			
<u>Performance</u>					
Switching fabric	Non-blocking	layer 2			
MAC address table size	2048 kB				
QoS (Quality of Service)	High-speed non blocking QoS switch fabric with 4 traffic classes. 1Mbit shared frame buffer				

TELESTE VIDEO NETWORKS

P.O. BOX 323, FIN-20101 TURKU, FINLAND
PHONE +358-2-2605 611, FAX +358-2-2605 880
info.vn@teleste.com



www.teleste.com

MPC-SF V.2 09/06