

LET US  
enlighten  
YOUR FIBRE  
NETWORKS



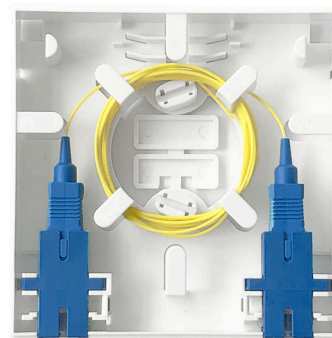
FTTH Outlet Series - TEN-FW02, 2F SC/LC

## enlighten FTTH Wall Outlet

This Fibre Wall Outlet is designed to accommodate the termination of installation cables to pigtails and provides an interface between the network and the customer device, supporting both SC Simplex and LC Duplex adaptors.

### Features

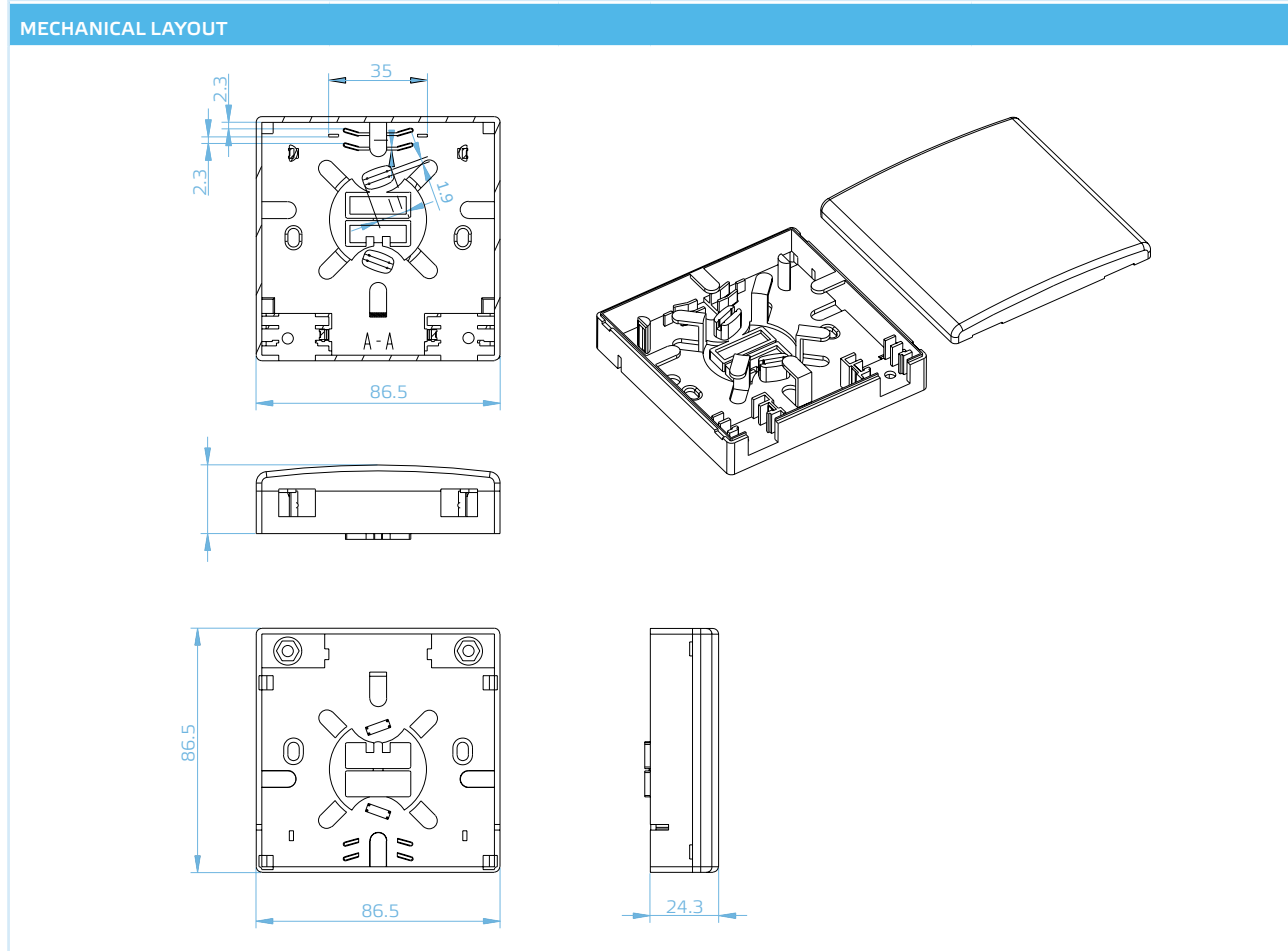
- The outlet is suitable for FTTH applications in both Multidwelling Units (MDU) and Single-Family Units (SFU).
- Compact two-parts design (body and cover), suitable for swift and easy wall mount.
- Supports both SC Simplex and LC Duplex adaptors.



**TELESTE**

## enlighten OPTICAL PASSIVES / FTTH OUTLET SERIES

GENERAL			
Dimension (LxWxH)	86.5 x 86.5 x 24 mm	Weight	0.052 kg
Material	ABS	Supported Adapters	SC simplex, LC Duplex
Operating Temperature	-40 - +65 °C	IP Protection Class	IP 20
Colour	White (RAL9010)		



**ORDERING INFORMATION**

P/N	DESCRIPTION
TEN-FWO2-0	FTTH Wall Outlet 2 without adapters or pigtails (empty unit)
TEN-FWO2-1SCA0	FTTH Wall Outlet 2 with 1 piece SC/APC simplex adapter
TEN-FWO2-1SCAP	FTTH Wall Outlet 2 with 1 piece SC/APC simplex adapter and 1 x pigtail
TEN-FWO2-1SCAP-10	FTTH Wall Outlet 2 with 1 piece SC/APC simplex adapter and 1 x pigtail 10-pack
TEN-FWO2-1SCU0	FTTH Wall Outlet 2 with 1 piece SC/UPC simplex adapter
TEN-FWO2-1SCUP	FTTH Wall Outlet 2 with 1 piece SC/UPC simplex adapter and 1 x pigtail
TEN-FWO2-1LCA0	FTTH Wall Outlet 2 with 1 piece LC/APC duplex adapter and no pigtails
TEN-FWO2-1LCAP	FTTH Wall Outlet 2 with 1 piece LC/APC duplex adapter and 2 x pigtails
TEN-FWO2-2SCA0	FTTH Wall Outlet 2 with 2 x SC/APC simplex adapters. No pigtails
TEN-FWO2-2SCAP	FTTH Wall Outlet 2 with 2 x SC/APC simplex adapters and 2 x pigtails
TEN-FWO2-2LCA0	FTTH Wall Outlet 2 with 2 x LC/APC duplex adapters. No pigtails
TEN-FWO2-2LCAP	FTTH Wall Outlet 2 with 2 x LC/APC duplex adapters and 4 x pigtails

# TELESTE

TELESTE CORPORATION

[www.teleste.com](http://www.teleste.com)

Enlighten FTTH Outlet Series TEN-FWO2\_201020

Copyright © 2020 Teleste Corporation. All rights reserved. Teleste and the Teleste logo are registered trademarks of Teleste Corporation. Other product and service marks are property of their respective owners.

Teleste reserves the right to make changes to any features and specifications of the products without prior notice. Although the information in this document has been reproduced in good faith, the contents of this document are provided "as is". Teleste makes no warranties of any kind in relation to the accuracy, reliability or contents of this document, except as required by applicable law.