

LET US
enlighten
YOUR FIBRE
NETWORKS



Optical Distribution Box Series - TEN-FWB2, 4F Outdoor

enlighten TEN-FWB2 Distribution Box - 4F

Designed for outdoor mounting this wall box allows easy connection between feeder cables and subscriber cables. The wall box is equipped with a splice tray and lock for secure fixing of box lid.

Features

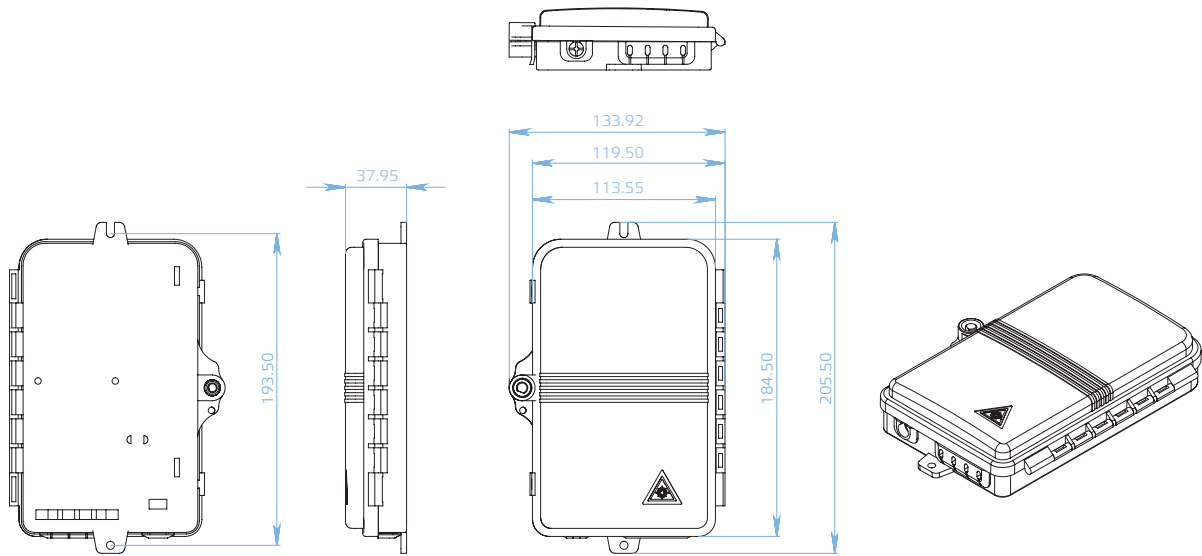
- Easy to install and maintain
- Separate tray for ease of splice connections
- Lockable lid to avoid unauthorized access
- High quality plastics
- Multifunctional tray that can accommodate a mini-splitter



TELESTE

enlighten OPTICAL PASSIVES / OPTICAL DISTRIBUTION BOX SERIES

GENERAL			
Max. Input Cable Diameter	10.0 mm	Max. Output Cable Diameter	3.0 mm
Dimension (LxWxH)	205.50 × 119.50 × 37.95 mm	Weight	0.306 kg
Material	PC + ABS plastic	Supported Adaptors	SC simplex, LC Duplex
Operating Temperature	-40 - +80 °C	IP Protection Class	IP 65
Colour	White (RAL9010)	Type of Installation	Wall-mount and Pole-mount
ORDERING INFORMATION			



P/N	DESCRIPTION
TEN-FWB2-0	FTTH wall box 2 without adaptors or pigtails
TEN-FWB2-4SCA0	FTTH wall box 2 with 4 x SC/APC simplex adaptors and no pigtails
TEN-FWB2-4SCAP	FTTH wall box 2 with 4 x SC/APC simplex adaptors and 4 x pigtails
TEN-FWB2-4LCA0	FTTH wall box 2 with 4 x LC/APC duplex adaptors and no pigtails
TEN-FWB2-4LCAP	FTTH wall box 2 with 4 x LC/APC duplex adaptors and 8 x pigtails

TELESTE

TELESTE CORPORATION
www.teleste.com

Enlighten Optical Distribution Box Series TEN-FWB2_210118

Copyright © 2021 Teleste Corporation. All rights reserved. Teleste and the Teleste logo are registered trademarks of Teleste Corporation. Other product and service marks are property of their respective owners.

Teleste reserves the right to make changes to any features and specifications of the products without prior notice. Although the information in this document has been reproduced in good faith, the contents of this document are provided "as is". Teleste makes no warranties of any kind in relation to the accuracy, reliability or contents of this document, except as required by applicable law.