

LET US
enlighten
YOUR FIBRE
NETWORKS



Optical Distribution Box Series - TEN-FWB7, 12F Outdoor/Indoor

enlighten **COMPACT INTERFACE SPLICE-BOX**

Our compact FTTH interface box, TEN-FWB7, comes complete with a single hinged splice tray that enables easy access for working. The splice tray can accommodate up to 12 fusion splice protectors of heat shrink type, 4 in the existing holder and another 8 with an additional plug-in fusion splice holder. Customer drop cables or patch cords exit from the bottom of the unit and are sealed using a split grommet. The box has a removable cover for easy access and fitted with a lock for enhanced security. The unit can be supplied with a keyed lock or a plastic lock which can be turned with a screwdriver.



TELESTE

enlighten / COMPACT INTERFACE SPLICE-BOX - TEN-FWB7

GENERAL

FEATURES

- Conforms to IP55 - supports both outdoor and indoor installations.
- Manufactured of UV stabilised material - optimal for outdoor installations.
- Input cable enters the box from the bottom. Cables up to 14 mm and tubes up to 16 mm in diameter can be accommodated.
- Fibres are bend managed to a 30 mm minimum bend radius.



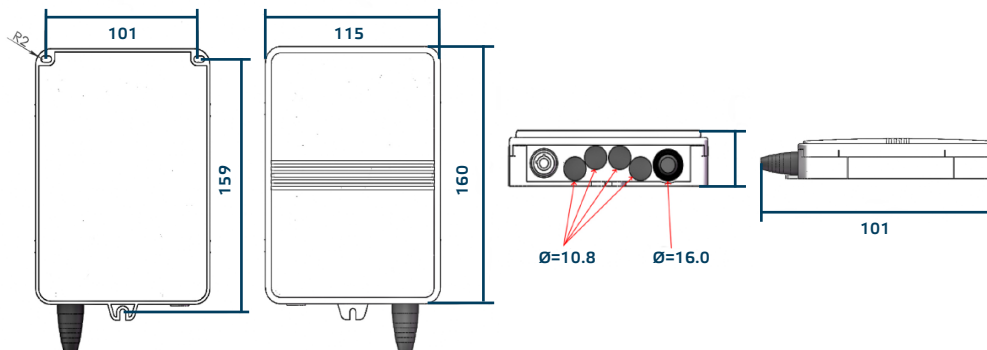
TECHNICAL DATA

Number of Splice Trays	1	Maximum Fibre Capacity	12
Maximum Diameter of Input Tube (mm)	16	Maximum no. of Input Cables	1
Maximum no. of Output Cables	4	Max. Diameter of Output Cable (mm)	4.5
IP Rating	55	Operating Temperature	-40 - + 50 °C
Material	ABS added with UV resistance material, RAL 7035	Material of Splice Tray	ABS Light Grey, RAL 7035

LOGISTIC DATA

Packaging Dimensions (WxHxD, mm)	121x198x37	Weight (kg)	0,260
---	------------	--------------------	-------

DIMENSIONS (mm)



ORDERING INFORMATION

TEN-FWB7 / 241070	FTTH Wall Box 7 supporting 4 splices. Includes one splice tray, a cable entry grommet, 4 drop cable grommets, a lock and keys.
TEN-FWB7-8tray / 241071	Additional splice tray for 8 splices fitting FTTH Wall Box 7

TELESTE

TELESTE CORPORATION

www.teleste.com

Enlighten Optical Distribution Box Series TEN-FWB7_210120

Copyright © 2021 Teleste Corporation. All rights reserved. Teleste and the Teleste logo are registered trademarks of Teleste Corporation. Other product and service marks are property of their respective owners.

Teleste reserves the right to make changes to any features and specifications of the products without prior notice. Although the information in this document has been reproduced in good faith, the contents of this document are provided "as is". Teleste makes no warranties of any kind in relation to the accuracy, reliability or contents of this document, except as required by applicable law.