



RF Amplifiers

## HOUSE CONNECTION AMPLIFIER **3DH3228-AR204**

The 3DH3228-AR204 is a 5-1218 MHz amplifier with a 204/258 MHz fix band split. It uses GaAs FET and GaAs pHEMT technology for best performance to the challenging future down- and upstream loads.

### **3DH3228-AR204 features**

- 204/258 MHz fix band split
- 32 dB Downstream gain / 28 dB Upstream gain
- GaAs FET & GaAs pHEMT technology in use for best linearity
- Low Upstream noise figure
- Attenuator & Equalizer controls using electrical step attenuators
- Downstream mid-stage gain & slope selectors
- Excellent ESD & surge protection

**TELESTE**

## HOUSE CONNECTION AMPLIFIER / 3DH3228-AR204

TECHNICAL SPECIFICATIONS: DOWNSTREAM <sup>(1)</sup>			
Frequency range	258...1218 MHz	Mid-stage gain selection	32 / 26 dB
Return loss	18 dB @ 40 MHz -1.5 dB/oct.	Mid-stage slope selection	0 / 10 dB
Gain	32 dB	Noise Figure	8 dB
Input attenuator control range	0...15 dB	CTB 34 channels (flat)	106 dB $\mu$ V
Input equalizer control range	0...15 dB	CSO 34 channels (flat)	107 dB $\mu$ V
Flatness	$\pm$ 0.75 dB	Umax (120 QAM channels, flat)	101 dB $\mu$ V

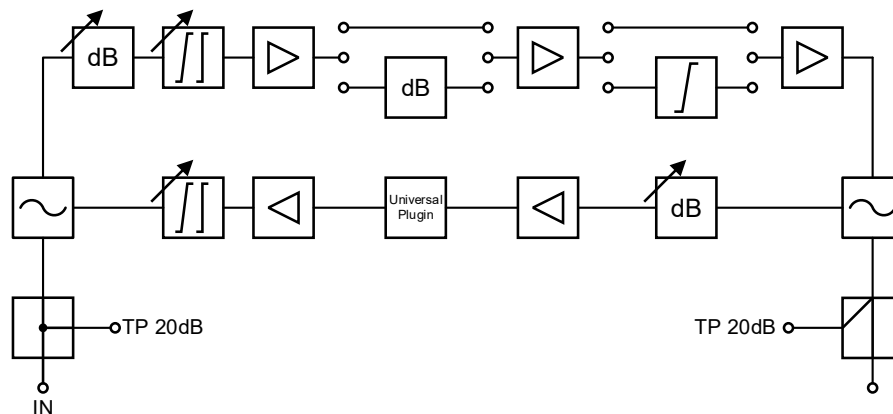
TECHNICAL SPECIFICATIONS: UPSTREAM <sup>(1)</sup>			
Frequency range	5...204 MHz	Flatness	$\pm$ 0.75 dB
Return loss	18 dB	Noise Figure	6 dB
Gain	28 dB	Test point	20 dB
Input attenuator control range	0...15 dB	Mid-stage Universal Plugin	JDA-type
Output equalizer control range	0...15 dB	Output level (DIN 45004B)	125 dB $\mu$ V

GENERAL SPECIFICATIONS <sup>(1)</sup>			
Supply Voltage	180...255 VAC	Test Point connector	F-female
Power Consumption	9 W	EMC compatibility	EN 60728-2
Input/Output Connectors	F-female, external	Safety	EN 60728-11
Operating temperature	- 20 ° to + 55 °C	Surge	2.5 kV, IEC 60728-5
Class of enclosure	IP 54	ESD	4 kV
Dimensions (h x w x h)	187/210 x 119/130 x 63 mm (with/without brackets & F connectors)	Weight	1.3 kg

### NOTES

(1) Typical values. Please contact us for detailed conditions.

### BLOCK DIAGRAM



### ORDERING INFORMATION

3DH3228-AR204	Amplifier equipped with 230 VAC power supply with euro plug, 4 x F-female connectors and 0 dB Universal Plug-in
---------------	---



TELESTE CORPORATION  
www.teleste.com

3DH3228-AR204\_20210305\_v02

Copyright © 2021 Teleste Corporation. All rights reserved. Teleste and the Teleste logo are registered trademarks of Teleste Corporation. Other product and service marks are property of their respective owners. Teleste reserves the right to make changes to any features and specifications of the products without prior notice. Although the information in this document has been reproduced in good faith, the contents of this document are provided "as is". Teleste makes no warranties of any kind in relation to the accuracy, reliability or contents of this document, except as required by applicable law.