



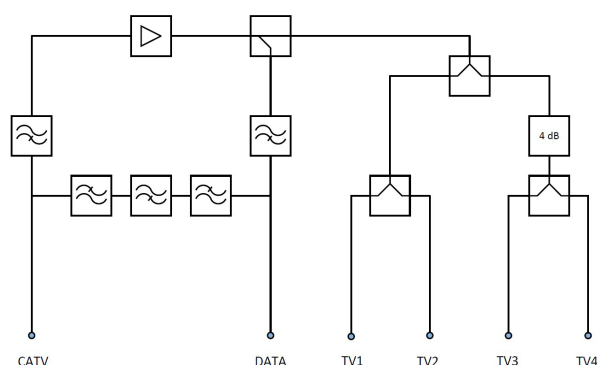
Home amplifiers

NIU-2420BTF

The NIU-2420BTF is a 5 output home amplifier with four unidirectional TV ports and one bidirectional DATA port for systems with a 65 MHz band split.

NIU-2420BTF features

- Excellent linear frequency response in conformity with CENELEC standards
- Lightning protection



TELESTE

HOME AMPLIFIERS / NIU-2420BTF

TECHNICAL SPECIFICATIONS			
Downstream signal path		Upstream signal path	
Frequency range	87..860MHz	Frequency range	15...65 MHz
Return loss	18 dB ⁽¹⁾	Return loss	16 dB
Gain TV1,2 TV3,4 DATA	4 dB 0 dB 4 dB		
Flatness	> 1 dB	Gain DATA	-1 dB
Noise figure	7.5 dB	Flatness	> 1 dB
Isolation between ports CM-DS DS	30 dB 25 dB		
CTB Distance	60 dBc ⁽²⁾		
CSO Distance	60 dBc ⁽²⁾	Injection point	-20 dB ⁽⁶⁾
GENERAL SPECIFICATIONS			
Impedance	75 Ohm	Input / output connectors	F-female
Supply voltage DC	198.....253 VAC	Dimensions L x W x H	220 x 80 x 40 mm
Housing	diecast, ABS plastic cover	Operating temperature	0...+40 °C
EMC compatibility	IEC60728-2	Class of enclosure	IP20
NOTES			
(1) The limiting curve is defined at 80 MHz -1.5 dB/octave, min. 13 dB.			
(2) According to Cenelec raster 42 channels 16 dBmV flat.			
ORDERING INFORMATION			
NIU-2420BTF	Home Amplifier with 5 outputs, 4 unidirectional TV and 1 Bidirectional data		

TELESTE

TELESTE CORPORATION

www.teleste.com

NIU-2420BTF_190614_v02

Copyright © 2019 Teleste Corporation. All rights reserved. Teleste and the Teleste logo are registered trademarks of Teleste Corporation. Other product and service marks are property of their respective owners.

Teleste reserves the right to make changes to any features and specifications of the products without prior notice. Although the information in this document has been reproduced in good faith, the contents of this document are provided "as is". Teleste makes no warranties of any kind in relation to the accuracy, reliability or contents of