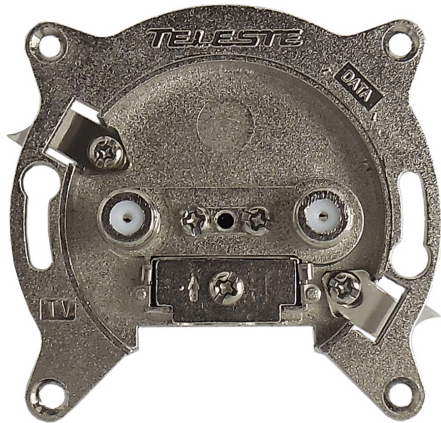




PRODUCT FAMILY	DESCRIPTION
INDOOR RF PASSIVES	SEMI ISOLATED OUTLET TSO-201F

FEATURES



- >> Frequency range **5-1006 MHz**
- >> **LOOP THROUGH** version
- >> **CLASS A** screening effectiveness
- >> **OUTSTANDING** RF performance
- >> **R/TV** and **DATA** ports
- >> **LOW LOSS** diplex filters

SPECIFICATIONS

INSERTION LOSS (dB, Max.) - IN TO LOOP THROUGH			INSERTION LOSS (dB, Max.) - IN TO R/TV		
Frequency (MHz)	Typ.		Frequency (MHz)	Typ.	
5 - 1006	4.0	4.8	85 - 1006	9.0	9.5
INSERTION LOSS (dB, Max.) - DATA TO IN			INSERTION LOSS (dB, Max.) - IN TO DATA		
5 - 65	4.8	5.3	85 - 1006	8.5	9.0
RETURN LOSS (dB, Min.) – IN PORT		RETURN LOSS (dB, Min.) – DATA PORT			
5 - 65	18.0	5 - 65	18.0		
85 - 1006	18.0 ⁽¹⁾	85 - 1006	18.0 ⁽¹⁾		
RETURN LOSS (dB, Min.) – R/TV PORT					
85 - 1006		18.0 ⁽¹⁾			
ISOLATION (dB, Min.) - R/TV TO DATA			ISOLATION (dB, Min.) - DATA TO OUT		
85 - 1006		22	5 - 1006	22	
			5 - 65	45	

**THIS
LOOP THROUGH
OUTLET...**

...has been designed to fit with all typical frames and covers. Combining the high screening with the easy frontal cable connection results in **RELIABLE** and **SWIFT** installation.

Combined with the TSO-200 two connections can be made on the same cable run. TSO-201F features a **R/TV PORT** with downstream only and a **DATA PORT** with both up and downstream.

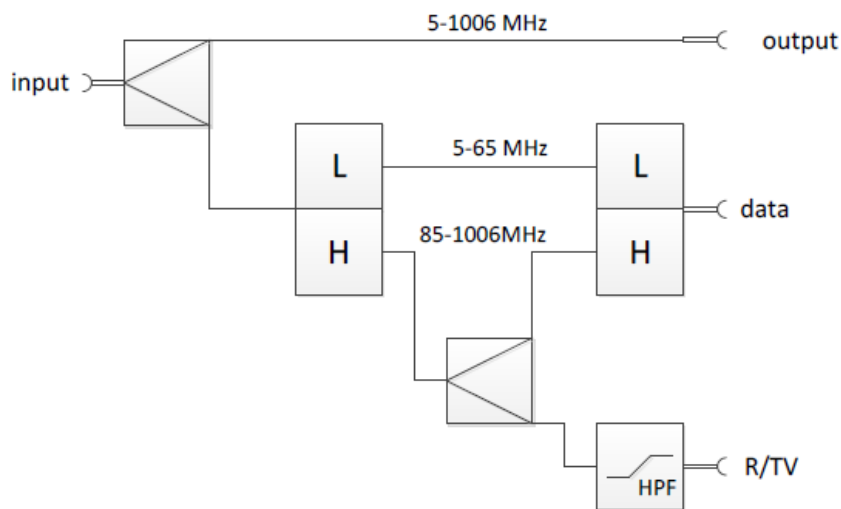
GENERAL SPECIFICATIONS

Frequency range	5 – 1006 MHz	Nominal impedance	75 Ohm
Connectors		Electromagnetic compatibility ⁽²⁾ (dB, Min.)	
Input	Cable clamp	5 - 300	85.0
Loop through output	Cable clamp	300 - 470	80.0
R/TV output	F male	470 - 950	75.0
DATA input/output	F female	950 - 1006	55.0
Dimensions	69 x 64,5 x 29 mm	Weight	0,094 kg
Intermodulation ⁽³⁾ f1 + f2 (dBc, Min.)	110.0 (a) 110.0 (b) 110.0 (c)	Safety Isolation	Inner conductor input to inner conductor output ≤ 0.7 mA, ≥ 1 minute ⁽⁴⁾ ≤ 8.0 mA RMS ⁽⁴⁾
Surge immunity	1 kV, 1.2/50µS ⁽⁵⁾	Housing (material/plating)	Zinc die-cast / nickel plated Steel back lid / tin plated
Connectors (material/plating) Pin of F male Spring of F female		Brass/Nickel ⁽⁶⁾ Phosphor/Bronze	
Product approval	CE	EMC compatibility	EN 50083-2

Notes:

- (1) * F > 40 MHz -1.5 dB/oct
- (2) Class A, according to IEC 60728-2 2010, EMC
- (3) Two carriers (60 & 65 MHz), applied to (each) output port, @120dBµV
 - (a) No surge
 - (b) Measured after 10 pulses 25V(1,2/500µS) applied to each port
 - (c) Measured after 1 pulse 1kV (1,2/50µS) applied to each port
- (4) According to IEC-60728-11 2007, Safety
- (5) Surge voltage according to IEC 61000-4-5, EMC (class 2, level 2) applied between the inner and outer conductor of each port
- (6) Dimensions in accordance with IEC 61169-2, Coaxial connectors of type 9,52

BLOCK DIAGRAM



ORDERING INFORMATION

TSO-201F	Semi Isolated System Outlet (2120VDC/230VAC), 5-1006 MHz, 65/85 MHz split, R/TV and Data, loop through version
-----------------	--