



PRODUCT FAMILY	DESCRIPTION
----------------	-------------

FILTERS	3IOF-C 4/258 INTERNET OPTIMIZER
----------------	--

	FEATURES
--	----------



- >> **PUSH-ON FEATURE** for quick and easy installation on existing TV-FM wall outlets
- >> **VERY LOW** return path attenuation
- >> **VERY GOOD INTERMODULATION** performance
- >> **HIGH** TV-DATA port **ISOLATION** performance
- >> Two separate ports: **CABLE MODEM** and **TV PORT** (F-IEC)

SPECIFICATIONS

INSERTION LOSS – TV OUTPUT			
----------------------------	--	--	--

Frequency (MHz)	Min. (dB)	Typ. (dB)	Max. (dB)
5 - 194	45.0	-	-
194 - 204	40.0	-	-
258 - 862	-	4.0	4.5
862 - 1006	-	4.5	5.0
1006 - 1218	-	5.5	6.0

INSERTION LOSS – DATA OUTPUT			
------------------------------	--	--	--

5 - 194	-	0.5	1.0
194 - 204	-	1.0	1.5
258 - 862	-	4.0	4.5
862 - 1006	-	4.5	5.0
1006 - 1218	-	5.5	6.0

ISOLATION – TV TO DATA			
------------------------	--	--	--

5 - 194	45.0	-	-
194 - 204	40.0	-	-
258 - 1006	22.0	-	-
1006 - 1218	20.0	-	-

RETURN LOSS – RL IN			
---------------------	--	--	--

5 - 65	18.0	-	-
65 - 204	16.0	-	-
258 - 1218	15.0 ⁽¹⁾	-	-

RETURN LOSS – RL DATA			
-----------------------	--	--	--

5 - 65	18.0	-	-
65 - 204	16.0	-	-
258 - 1218	15.0 ⁽¹⁾	-	-

RETURN LOSS – RL TV			
---------------------	--	--	--

258 - 1218	15.0 ⁽¹⁾	-	-
------------	---------------------	---	---

Teleste reserves the rights to alter specifications, features, manufacturing release dates and even the general availability of the product at any time.

GENERAL SPECIFICATION

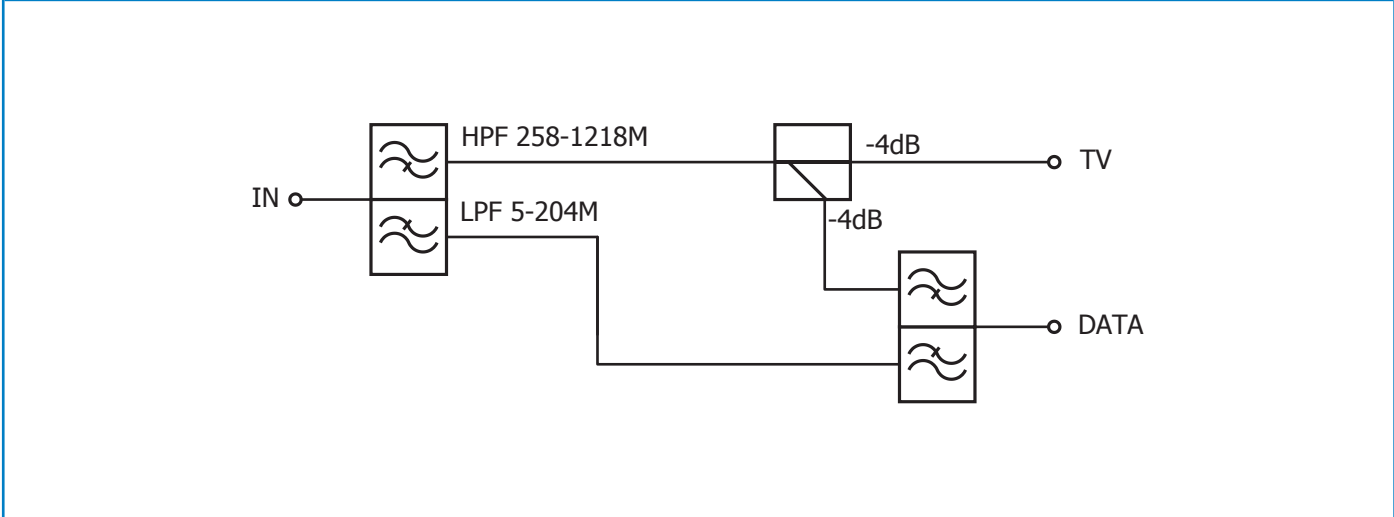
Nominal impedance	75 Ohm	Housing	Zamak die-cast
Dimensions	26 x 36 x 18 mm	Weight	0.043 Kg
Connectors	Input TV output DATA output	IEC female 15mm IEC male 12mm F female	
EMC compatibility	Class A according to EN 50083-2	Operating temperature	0 - +55°C

Notes:
 (1) 15 dB at 258 MHz -1.5 dB/octave., min. 12 dB

Additional notes:

- Between 5 MHz and 10 MHz the above specifications are typical values and not min or max values

BLOCK DIAGRAM



ORDERING INFORMATION

3IOF-C 4/258	Internet optimizer, 5-204/258-1218 MHz
---------------------	--