



PRODUCT FAMILY	DESCRIPTION
INDOOR RF PASSIVES	SPLITTER PLASTIC COVER FOR BASIC-LINE AND 3D-LINE SERIES

FEATURES



- >> **UNIVERSAL** plastic cover **DESIGNED** for:
BASIC-LINE
 Splitters - BSS2, BSS3, BSS3U
 Taps - BTS1XX, BTS2XX, BTS3XX
3D-LINE
 Splitters - 3DSS2, 3DSS3, 3DSS3U, 3DSS4
 Taps - 3DTS1XX, 3DTS2XX
- >> **COMPACT** footprint
- >> Superior design of the housing ensures **FAST** and **EASY** installation
- >> Various **MOUNTING OPTIONS**
- >> Optional **CUSTOMER LOGO**

SPECIFICATIONS

GENERAL		
Dimensions (h x w x d)	122,7 x 99,9 x 27,7 mm	
Weight	0,047 kg	
Material	ABS	
Color	White	

PLASTIC COVER that...

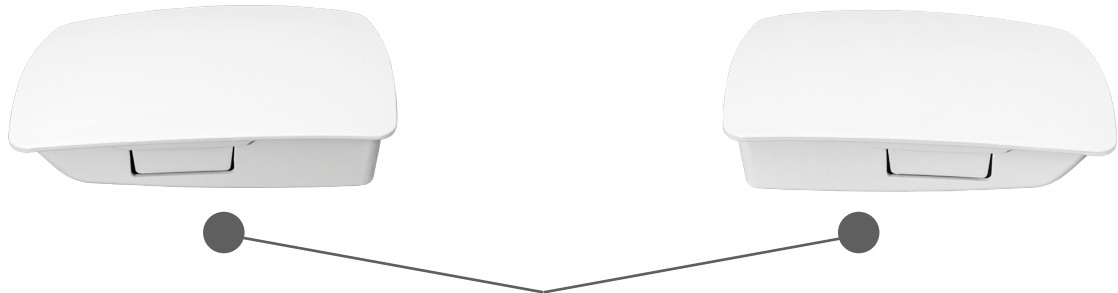
...blends design and user-friendliness into one product, intended for both residential and business environments having a compact and low-profile footprint, providing multiple coaxial cable entry points.

...specifically adapted for
BASIC-LINE
 and
3D-LINE
 passives...

ORDERING INFORMATION	
SPC-B	Universal plastic cover for BASIC-LINE and 3D-LINE series

Teleste reserves the rights to alter specifications, features, manufacturing release dates and even the general availability of the product at any time.

**INSTALLATION
of the plastic cover**



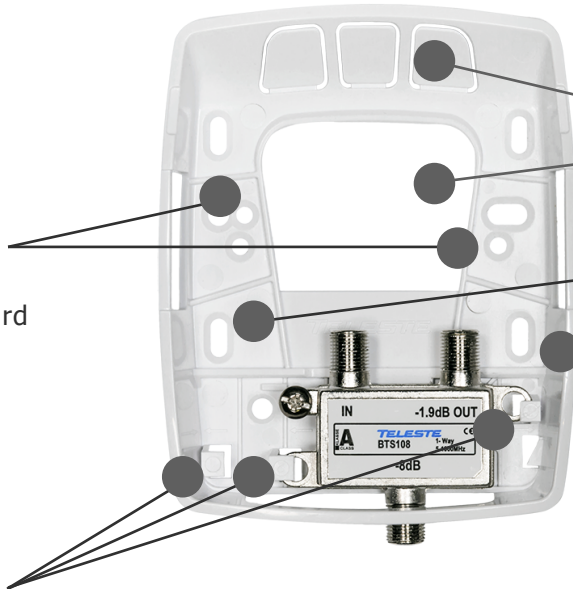
To open the plastic cover push the latches from both sides and take the lid off



Openings to install the cover on a standard plasterboard box



Holders that keeps Basic-Line passives in adequate position while connected to coaxial cables under stress



Openings to install the coax cable

Openings to install the plastic cover directly on the wall using dowels

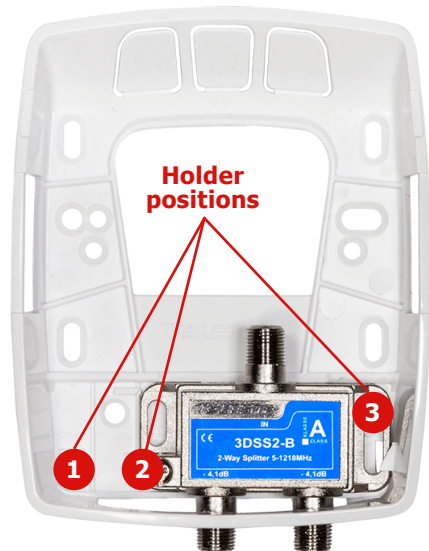
**INSTALLATION
of 3D-Line passives**

3D-LINE 2-WAY SPLITTERS AND 1-WAY TAPS

To install the passive element please remove the holders marked 2 and 3 at the right-hand side

3D-LINE 3&4-WAY SPLITTERS AND 2&3-WAY TAPS

To install the passive element please remove the holders marked 1, 2 and 3



Holder positions