



PRODUCT FAMILY	DESCRIPTION
----------------	-------------

<b>INDOOR RF PASSIVES</b>	<b>SEMI ISOLATED OUTLET : TSO-300F</b>
---------------------------	--

	FEATURES
--	----------



- >> Frequency range 5-1006 MHz
- >> Class A screening effectiveness
- >> Outstanding RF performance
- >> Low loss duplex filters
- >> 2 x Data port, F female
- >> 1 x R/TV port, F female

## SPECIFICATIONS

### INSERTION LOSS (dB, Max.) - IN to R/TV

Frequency (MHz)	Typ.	
5 - 65	35.0	30.0 Min.
87.5 - 862	4.5	4.8
862 - 1006	4.7	5.0

### INSERTION LOSS (dB, Max.) - IN to DATA (both ports)

5 - 65	4.5	4.8
87.5 - 862	7.8	8.2
862 - 1006	8.5	9.0

### RETURN LOSS (dB, Min.) - All Ports

5 - 65	18.0
87.5 - 862	18.0 <sup>(1)</sup>
862 -1006	18.0 <sup>(1)</sup>

### ISOLATION (dB, Min.) - R/TV to DATA

5 - 65	30.0
87.5 - 862	20.0
862 - 1006	20.0

Teleste reserves the rights to alter specifications, features, manufacturing released and even the general availability of the product at any time.

### GENERAL SPECIFICATIONS

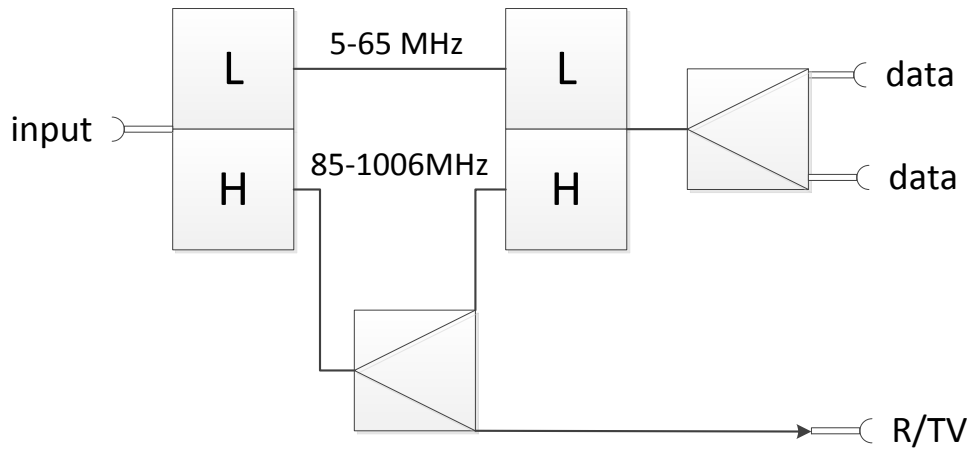
Frequency range	5 – 1006 MHz
Nominal impedance	75 Ohm
Connectors	
Input	Cable clamp
R/TV output	F female
DATA input/output	F female
Dimensions	69 x 64,5 x 35 mm
Weight	0,097 kg
Electromagnetic compatibility <sup>(2)</sup> (dB, Min.)	
5 - 300	85.0
300 - 470	80.0
470 - 950	75.0
950 - 1006	55.0
Intermodulation <sup>(3)</sup> f1 + f2 (dBc, Min.)	110.0 <sup>(a)</sup> 110.0 <sup>(b)</sup> 110.0 <sup>(c)</sup>
Safety Isolation	Inner conductor input to inner conductor output
2120 VDC	≤ 0.7 mA, ≥ 1 minute <sup>(4)</sup>
230 VAC RMS, 50/60 Hz	≤ 8.0 mA RMS <sup>(4)</sup>
Surge immunity	1 kV, 1.2/50µS <sup>(5)</sup>
Housing (material/plating)	Zinc die-cast / nickel plated Steel back lid / tin plated
Connectors (material/plating)	
Spring of F female	Phosphor bronze/Nickel
Product approval	CE
EMC compatibility	EN 50083-2

**This terminal outlet has been designed to fit with the typical frames and covers. Combining the high screening with the easy frontal cable connection results in reliable and swift installation. It features a R/TV port with downstream only and two data port with both up and downstream.**

#### Notes

- (1) \* F > 40 MHz -1.5 dB/oct
- (2) Class A, according to IEC 60728-2 2010, EMC
- (3) Two carriers (60 & 65 MHz), applied to (each)output port, @120dBµV
  - (a) No surge
  - (b) Measured after 10 pulses 25V(1,2/500µS applied to each port
  - (c) Measured after 1 pulse 1kV (1,2/50µS) applied to each port
- (4) According to IEC-60728-11 2007, Safety
- (5) Surge voltage according to IEC 61000-4-5, EMC (class 2, level 2) applied between the inner and outer conductor of each port

**BLOCK DIAGRAM**



**ORDERING INFORMATION**

**TSO-300F**

Semi Isolated System Outlet (2120VDC/230VAC), 5-1006 MHz, 65/87.5 MHz split, R/TV and 2x Data, F-connectors, terminated version