

LET US  
enlighten  
YOUR FIBRE  
NETWORKS



Enlighten Outlet Series - TEN-FW08

# enlighten FTTH WALL OUTLET - TEN-FW08

This FTTH Wall Outlet is designed as an addition to protect the Fibre Wall Outlet TEN-FW05. So the connection of the fiber cables is safe and simple, and the overall installation is aesthetically pleasing. The TEN-FW08 is designed to manage, protect and conceal customer drop cabling and connections. It prevents unwanted access and tampering of the cabling connections.

#### Features

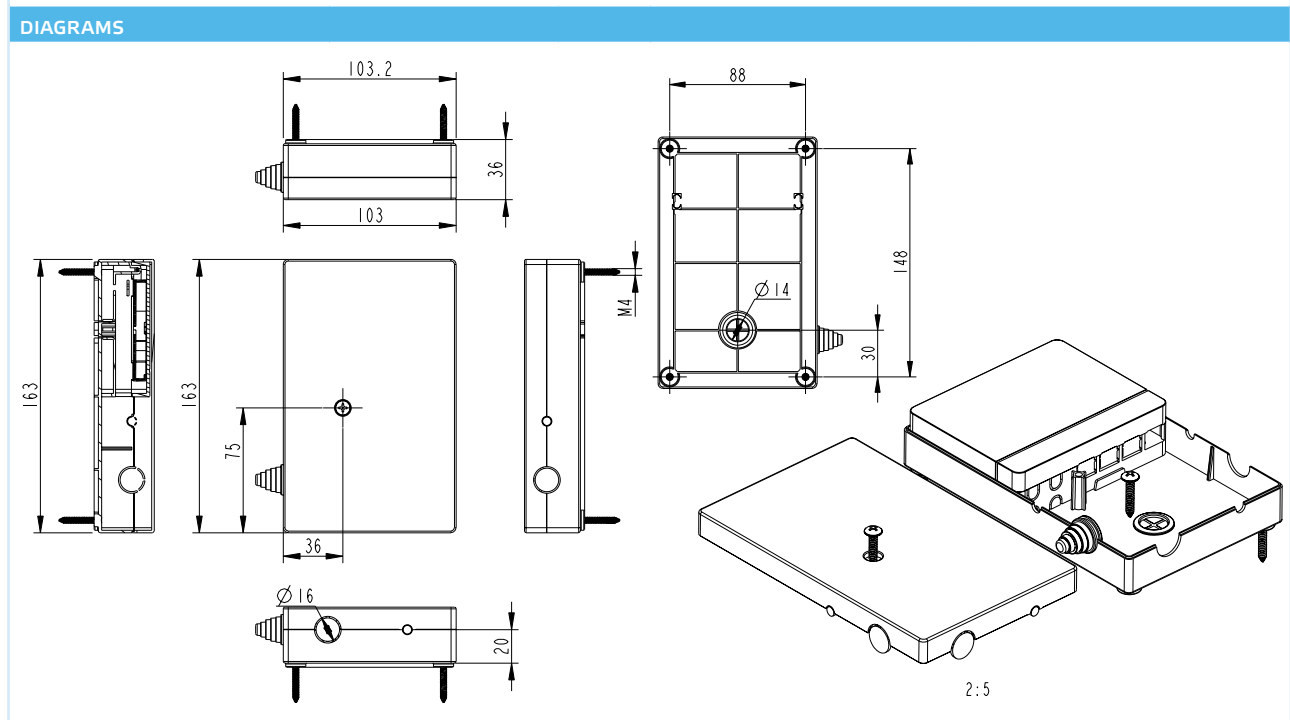
- Small size and light weight
- Multiple cable entry positions on side, bottom and base
- Easy to install and use
- Safe and secure fibre cable management
- Suitable for Indoor wall or ceiling mounting



**TELESTE**

## enlighten OPTICAL PASSIVES / FTTH OUTLET SERIES

GENERAL			
Dimension (LxWxH)	166 x 106 x 34 mm	IP Rating	IP20
Material	PC + ABS	Supported Adaptors	SC, LC
Operating Temperature	-40 - +85 °C	Colour	White



ORDERING INFORMATION

P/N	DESCRIPTION
TEN-FW08	FTTH Wall Outlet to protect Fibre Wall Outlet TEN-FW05



TELESTE CORPORATION  
[www.teleste.com](http://www.teleste.com)

Enlighten TEN-FW08\_220912

Copyright © 2022 Teleste Corporation. All rights reserved. Teleste and the Teleste logo are registered trademarks of Teleste Corporation. Other product and service marks are property of their respective owners. Teleste reserves the right to make changes to any features and specifications of the products without prior notice. Although the information in this document has been reproduced in good faith, the contents of this document are provided "as is". Teleste makes no warranties of any kind in relation to the accuracy, reliability or contents of this document, except as required by applicable law.