

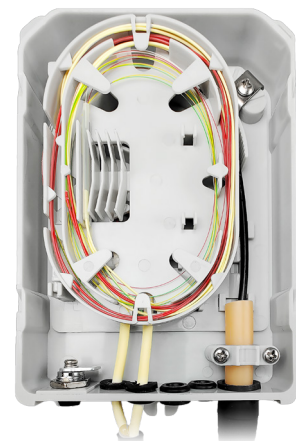
LET US
enlighten
YOUR FIBRE
NETWORKS



Optical Distribution Box Series - TEN-FWB7, 1-8F Outdoor/Indoor

enlighten Compact Interface Splice-Box

Our compact FTTH interface box, TEN-FWB7, comes complete with a single hinged splice tray that enables easy access for working. The splice tray can accommodate up to 8 fusion splice protectors of heat shrink. It can also be equipped with a PLC 1:2 or 1:4 splitters. Customers drop cables or patch cords exit from the bottom of the unit and are sealed using a split grommet. The box has a removable cover for easy access and fitted with a lock for enhanced security.



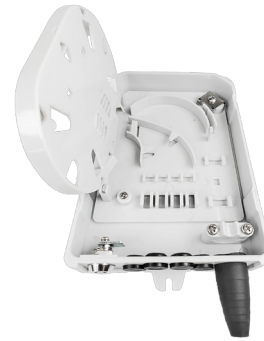
TELESTE

enlighten / COMPACT INTERFACE SPLICE-BOX - TEN-FWB7

GENERAL

FEATURES

- Conforms to IP55 - supports both outdoor and indoor installations.
- Manufactured of UV stabilised material - optimal for outdoor installations.
- Input cable enters the box from the bottom. Cables up to 14 mm and tubes up to 14 mm in diameter can be accommodated.
- Fibres are bend managed to a 30 mm minimum bend radius.



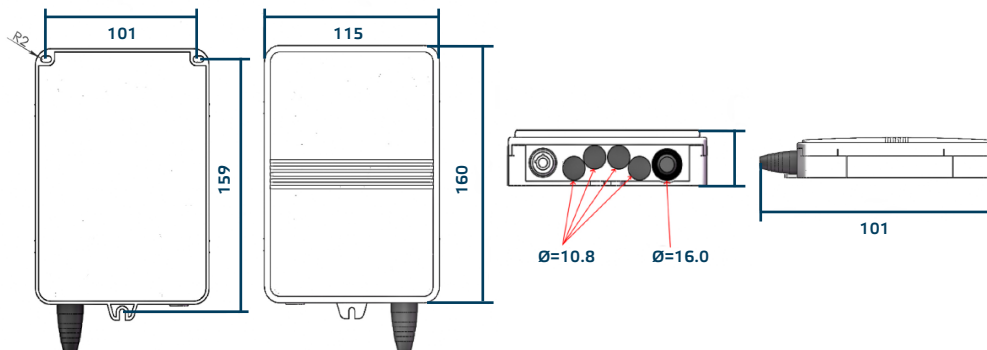
TECHNICAL DATA

Number of splice trays	1	Maximum fibre capacity	8
Maximum diameter of input tube (mm)	14	Maximum no. of input cables	1
Maximum no. of output cables	4	Max. diameter of output cable (mm)	7
Splitter support	PLC 1:2 and 1:4 holders		
IP rating	55	Operating temperature	-40 - + 85 °C
Material	PC+ABS FR (flame retardant) UL94-V0	Material of splice tray	ABS Light Grey, RAL 7035

LOGISTIC DATA

Packing dimensions (WxD, mm)	121 x 198 x 37	Packed Weight (kg)	0,276
------------------------------	----------------	--------------------	-------

DIMENSIONS (mm)



ORDERING INFORMATION

TEN-FWB7

FTTH Wall Box 7 supporting 8 splices. Includes one splice tray, a cable entry grommet, 4 drop cable grommets, a lock and keys.

TELESTE

TELESTE CORPORATION

www.teleste.com

TEN-FWB7_INTERFACE SPLICE-BOX_230915

Copyright © 2023 Teleste Corporation. All rights reserved. Teleste and the Teleste logo are registered trademarks of Teleste Corporation. Other product and service marks are property of their respective owners.

Teleste reserves the right to make changes to any features and specifications of the products without prior notice. Although the information in this document has been reproduced in good faith, the contents of this document are provided "as is". Teleste makes no warranties of any kind in relation to the accuracy, reliability or contents of this document, except as required by applicable law.