



3GVR-AR - 1218-85/204 MHz

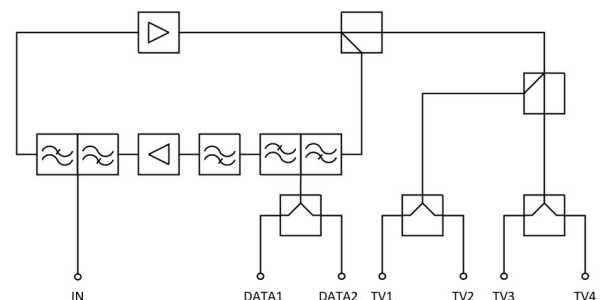
HOME AMPLIFIERS

3GVR-AR

The 3GVR-AR platform is a 1.2 GHz DOCSIS 3.1 amplifier with 6 Ports. The products come equipped with 2 bidirectional data ports and 4 unidirectional TV ports. The 3GVR-AR085 has an 85 MHz, and the 3GVR-AR204 a 204 MHz upstream path.

3GVR-AR platform features

- Frequency range up to 1218 MHz, Docsis 3.1 compliant
- 6 user ports compact amplifier
- Outer plastic cover to secure against electrical contacts
- Forward path with differentiated gain according to ports
- Energy saving power supply
- Data ports equipped with 75 Ohm terminators
- Fixed power cord



TELESTE

HOME AMPLIFIER / 3GVR-AR

TECHNICAL SPECIFICATIONS ⁽¹⁾			
Downstream signal path		Upstream signal path	
Frequency range	105/258...1218 MHz	Frequency range	15...85/204 MHz
Return loss	18 dB ⁽²⁾	Return loss	18 dB
Gain		Gain	
DATA1	2 dB	DATA1	1 dB
DATA2	2 dB	DATA2	1 dB
TV1/TV2	0 dB		
TV3/TV4	4 dB		
Flatness	± 1 dB	Flatness	± 1 dB
Group Delay	6 ns	Noise figure	≤ 15 dB
Noise figure	6.5 dB	Isolation between ports	26 dB
Isolation between ports		Group delay	20 ns
DATA-TV, 105/258...1006 MHz	30 dB	Upstream intermodulation	2nd order 60 dB 3rd order 60 dB
DATA-TV, 1006...1218 MHz	25 dB		
TV-TV, 105/258...1006 MHz	27 dB		
TV-TV, 1006...1218 MHz	23 dB		
DATA-DATA, 105/258...1006 MHz	25 dB		
DATA-DATA, 1006...1218 MHz	20 dB		
U _{max}	84 dBμV ⁽³⁾	Ingress suppression	30 dB ⁽⁴⁾
GENERAL SPECIFICATIONS ⁽¹⁾			
Supply Voltage	220...240 VAC/50 Hz	Dimensions	220 x 95 x 40 mm ⁽⁵⁾
Power Consumption	4W	Connectors	Moulded F-female
LED	Green	EMC	EN 60728-2
Operating temperature	- 5 ° to + 40 °C	Safety	EN 60728-11
Class of enclosure	IP 20	Surge	1 kV, IEC 61000-4-5
Color	RAL 1013	ESD	4 kV, IEC 61000-4-2
Notes			
(1) Typical values.			
(2) The limiting curve is defined at 40 MHz -1.5 dB/octave, min. 12dB.			
(3) Tested according to IEC60728-3-1, but full digital loading up to 1218 MHz was used. Channels are flat between 110 and 1218 MHz and signal level has been defined at 1210 MHz. BER measurement has been done on the first channel between 110 and 1218 MHz. Measured on DS4 (0dB) port at room temperature.			
(4) The attenuation is measured in 5-10 MHz range.			
(5) Includes wall brackets and connectors.			
ORDERING INFORMATION			
3GVR-AR085	1.2 GHz amplifier with 85 MHz upstream path, F-terminators on both DATA ports and customer specific logo.		
3GVR-AR204	1.2 GHz amplifier with 204 MHz upstream path, F-terminators on both DATA ports and customer specific logo.		
Contact us for more information about the option to use alternative logos.			



TELESTE CORPORATION
www.teleste.com

Home Amplifier 3GVR-AR_240122

Copyright © 2024 Teleste Corporation. All rights reserved. Teleste and the Teleste logo are registered trademarks of Teleste Corporation. Other product and service marks are property of their respective owners.

Teleste reserves the right to make changes to any features and specifications of the products without prior notice. Although the information in this document has been reproduced in good faith, the contents of this document are provided "as is". Teleste makes no warranties of any kind in relation to the accuracy, reliability or contents of this document, except as required by applicable law.