

Home amplifier -  
single output, active return path

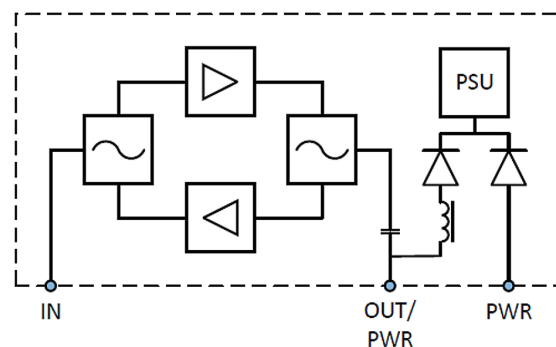
## HOME AMPLIFIERS

# 3HDU-1T12-AR085

The 3HDU single-output home amplifier is a reliable two-way active drop amplifier with outstanding performance. It provides an active return path, specifically designed for systems with an 85/105 MHz band split. Supporting downstream frequencies up to 1.2 GHz and upstream frequencies up to 85 MHz, it maintains excellent isolation.

### 3HDU features:

- DOCSIS 3.1 compatible amplifier
- 1218 MHz downstream and 85 MHz upstream
- Excellent isolation between downstream and upstream
- 12 dB down-, and 11 dB upstream gains
- Remote powering via power port with F-connector, or via OUT-port
- Painted housing and LED indicator
- No adjustments needed



## HOME AMPLIFIER / 3HDU-1T12-AR085

TECHNICAL SPECIFICATIONS <sup>(1)</sup>			
Downstream signal path		Upstream signal path	
Frequency range	105...1218 MHz	Frequency range	5...85 MHz
Return loss	18 dB <sup>(2)</sup>	Return loss	18 dB
Gain	12 dB	Gain	11 dB
Flatness	± 0.75 dB	Flatness	± 0.75 dB
Noise figure	5 dB	Noise figure	7 dB
U <sub>max</sub>	77 dBμV <sup>(3)</sup>	Upstream input level	33...51 dBmV
GENERAL SPECIFICATIONS			
Impedance	75 ohms	Operating temperature	-15...+55 °C
Connectors	F-female, acc. IEC61169-24, screw-on	Class of enclosure	IP54
Power consumption	4.5 W	Safety	IEC 60728-11
Supply voltage	12 VDC	EMC	IEC 60728 -2
Dimensions	124 x 93 x 25 mm (W x L x H) <sup>(4)</sup>	ESD	4 kV
Housing colour	RAL9010 (white, shiny finish)	Surge	1 kV, 1.2/50 μsec
NOTES			
<p>(1) Typical values.</p> <p>(2) The limiting curve is defined at 40 MHz -1.5 dB / octave. Return loss is always &gt; 12 dB.</p> <p>(3) Measured at room temperature with flat level (77 dBμV + gain) at output. Tested according to IEC60728-3, full digital loading up to 1218MHz. Channels are flat between 105 and 1218 MHz and signal level has been defined at 1210 MHz. BER measurement has been done on the first channel at 114 MHz.</p> <p>(4) Measured over the F-connectors and brackets.</p>			
ORDERING INFORMATION			
<b>3HDU-1T12-AR085</b>	Home amplifier, downstream 12 dB, upstream 11 dB, delivered in bulk, without power adapter.		
<b>Optional Accessories</b> (not included)			
<b>ASH-12VPSU500HDU</b>	External 12 VDC/500 mA power adapter with F-connector and UK plug.		

# TELESTE

TELESTE CORPORATION  
[www.teleste.com](http://www.teleste.com)

Home Amplifier 3HDU\_240118

Copyright © 2024 Teleste Corporation. All rights reserved. Teleste and the Teleste logo are registered trademarks of Teleste Corporation. Other product and service marks are property of their respective owners.

Teleste reserves the right to make changes to any features and specifications of the products without prior notice. Although the information in this document has been reproduced in good faith, the contents of this document are provided "as is". Teleste makes no warranties of any kind in relation to the accuracy, reliability or contents of this document, except as required by applicable law.