



Home amplifier - 5-outputs,
1 Data, 4 TV ports

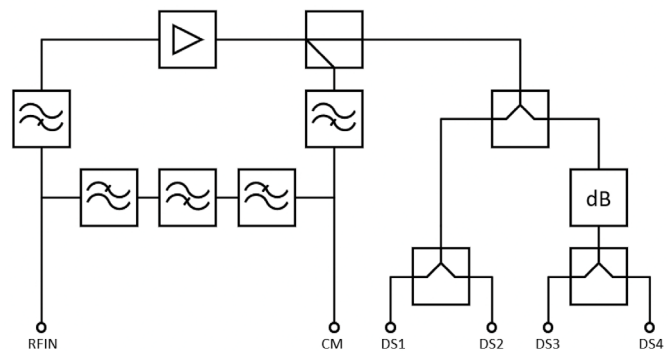
HOME AMPLIFIERS

3NIU-2420-PR085

The 3NIU-2420-PR085 is a 5-output Home Amplifier featuring four unidirectional TV ports and one bidirectional DATA port designed for systems with a 15-85/105-1218 MHz band split. The device surpasses Class A screening efficiency while also providing high robustness, effectively protected against ESD and surge pulses.

3NIU-2420-PR085 features:

- Frequency range up to 1218 MHz
- DOCSIS 3.1 compatible amplifier
- 1 bidirectional DATA port
- 4 unidirectional TV ports
- 15 MHz Ingress Filter on the DATA port
- Passive Upstream
- Lightning protection
- LTE proof
- Outer plastic cover to secure against electrical contacts



TELESTE

HOME AMPLIFIER / 3NIU-2420-PR085

TECHNICAL SPECIFICATIONS ⁽⁴⁾			
Downstream signal path		Upstream signal path	
Frequency range	105...1218 MHz	Frequency range	15...85 MHz
Return loss	18 dB ⁽²⁾	Return loss	18 dB
Gain		Insertion Loss	1.2 dB
CM	4 dB		
DS1/DS2	4 dB		
DS3/DS4	0 dB		
Flatness	± 0.75 dB	Group Delay	≤ 20 ns
Group Delay	≤ 6 ns	Ingress suppression	35 dB ⁽⁴⁾
Noise figure	≤ 6 dB	Isolation CM-DS	35 dB
Isolation between ports			
CM - DS			
105 - 750 MHz	30 dB		
750 - 1006 MHz	30 dB		
1006 - 1218 MHz	25 dB		
DS - DS			
105 - 1006 MHz	27 dB		
1006 - 1218 MHz	25 dB		
U _{max}	79 dBμV ⁽³⁾		
GENERAL SPECIFICATIONS ⁽⁴⁾			
Impedance	75 ohms	Operating temperature	0...+40 °C
Connectors Input/Output	F-female	Class of enclosure	IP 20
Power consumption	3 W	Safety	IEC 60728-11
Supply voltage	230 VAC ± 10%	EMC	IEC 60728-2
Power Cord	1.2 m, Black, 3-poles, 3-poles GDT +TMOV Surge protections	ESD	2 kV
Housing	Zinc Alloy, ABS plastic cover (Black)	Surge	1 kV, 1.2/50 μs
Dimensions	220 x 80 x 40 mm ⁽⁵⁾	Screening effectiveness	Exceeds Class A
		5...30 MHz	85 dB
		30...300 MHz	85 dB
		300...470 MHz	80 dB
		470...950 MHz	75 dB
		950...1218 MHz	55 dB
Weight	720 g	LTE inband immunity	790 – 960 MHz

HOME AMPLIFIER / 3NIU-2420-PR085

NOTES

- (1) Typical values.
- (2) The limiting curve is defined at 40 MHz -1.5 dB/octave, min. 12dB.
- (3) Tested according to IEC60728-3-1, but full digital loading up to 1218 MHz was used. Channels are flat between 110 and 1218 MHz and signal level has been defined at 1210 MHz. BER measurement has been done on the first channel between 110 and 1218 MHz. Measured on DS4 (0dB) port at room temperature.
- (4) The attenuation is measured in 5-10 MHz range.
- (5) Includes wall brackets and connectors.

INSIGHTS

// LOGISTICS...

Home Amplifiers are supplied in high volumes, while fast deliveries are imperative. Teleste's logistic services are adjusted and aligned with customers' wishes.

// NO NEED FOR ALIGNMENT...

Everyone demands ease of installation. Therefore, our home amplifiers do not require alignment or other actions besides powering on.



ORDERING INFORMATION

3NIU-2420-PR085

15...85/105...1218 MHz Home Amplifier with 5 outputs, 4 unidirectional TV and 1 bidirectional DATA. The amplifier is equipped with an internal power supply.

TELESTE

TELESTE CORPORATION

www.teleste.com

Home Amplifier 3NIU-2420-PR085_240122

Copyright © 2024 Teleste Corporation. All rights reserved. Teleste and the Teleste logo are registered trademarks of Teleste Corporation. Other product and service marks are property of their respective owners.

Teleste reserves the right to make changes to any features and specifications of the products without prior notice. Although the information in this document has been reproduced in good faith, the contents of this document are provided "as is". Teleste makes no warranties of any kind in relation to the accuracy, reliability or contents of this document, except as required by applicable law.