

Wall Enclosure - TEN-FWB6

CONNECTING HOMES

# enlighten 12F FTTH WALL ENCLOSURE

The TEN-FWB6 is specifically engineered for outdoor installations, providing a convenient solution allowing easy connection between feeder cables and subscriber cables. Beyond streamlining the connection process, its design places a strong emphasis on durability and security. This makes it an optimal choice for a variety of outdoor mounting scenarios.

## Features

- 2 inlets and 12 outlet drop ports.
- Easy to install and maintain.
- Separate cup-joint way for placing the feeder cable. Separate tray for ease of splice connections.
- Lockable lid to avoid unauthorized access.
- Designed for long term performance - waterproof, dustproof and manufactured in anti-aging material - the Teleste TEN-FWB6 is an optimal, rugged IP65 connectivity solution.

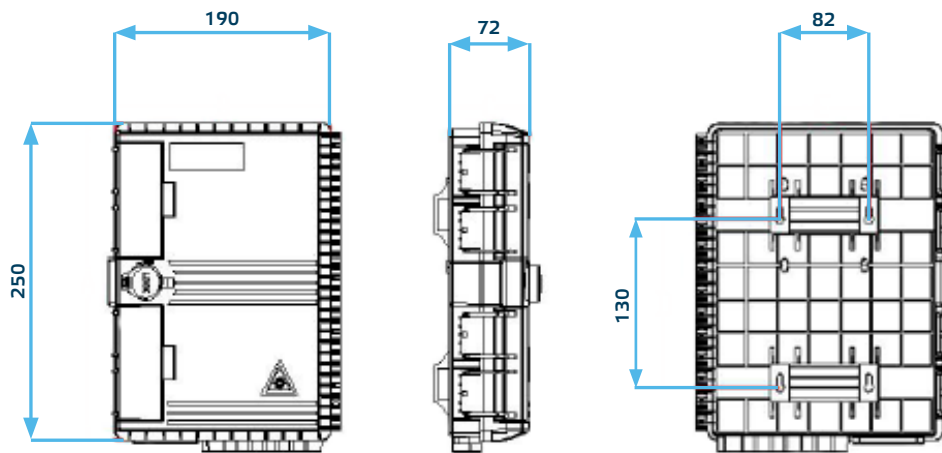


**TELESTE**

## enlighten FTTX PASSIVES / OPTICAL DISTRIBUTION BOX SERIES

GENERAL			
Max. input cable dia.	18 mm	Max. output cable dia.	4.5 mm
Dimension (LxWxH)	250 x 190 x 72 mm	Weight	0.40 kg
Material	PC + ABS	Supported adaptors	SC simplex, LC Duplex
UV Protection	Yes	Flame Retardant	UL94
Operating temperature	-40 - +80 °C	IP protection class	IP 65
Colour	White (RAL9010)	Type of installation	Wall- and Pole-mount

### MECHANICAL LAYOUT



### ORDERING INFORMATION

P/N	DESCRIPTION
TEN-FWB6-0	FTTH wall box 6 without adapters and pigtails
TEN-FWB6-12SCA0	FTTH wall box 6 with 12 x SC/APC adapters and no pigtails
TEN-FWB6-12SCAP	FTTH wall box 6 with 12 x SC/APC adapters and 12 x pigtails
TEN-FWB6-12LCA0	FTTH wall box 6 with 12 x LC/APC duplex adapters and no pigtails
TEN-FWB6-12LCAP	FTTH wall box 6 with 12 x LC/APC duplex adapters and 24 x pigtails



TELESTE CORPORATION

[www.teleste.com](http://www.teleste.com)

Enlighten Optical Distribution Box Series TEN-FWB6\_240202

Copyright © 2024 Teleste Corporation. All rights reserved. Teleste and the Teleste logo are registered trademarks of Teleste Corporation. Other product and service marks are property of their respective owners.

Teleste reserves the right to make changes to any features and specifications of the products without prior notice. Although the information in this document has been reproduced in good faith, the contents of this document are provided "as is". Teleste makes no warranties of any kind in relation to the accuracy, reliability or contents of this document, except as required by applicable law.