

CONNECTING HOMES

TEN-FWB16 - Outdoor

enlighten TEN-FWB16 - FTTH Wall Enclosure

The TEN-FWB16 is a small versatile enclosure that supports fibre splicing, splitting and adapters for customer connections. It supports pass through cabling & ducts with a unique gland that allows drop in from the top. With capacity for 20 splices, 4 adapters and 2 splitters, this IP65 enclosure is suitable for a wide variety of applications.

Features

- Suitable for Outdoors mounting, IP65 rated
- Hinged lid with secure catches and optional locking screw
- Supports 16 mm cable/tube entrance / pass through
- New gland design allowing cable/tube assembly from top
- Baseplate for fibre and retention management
- Hinged tray supporting 20 fusion splices (10 double stack)
- Clip on tray lid to protect splices
- 4 SC/Dual LC adapters positions
- Positions for 2 splitters (60x4x7mm)

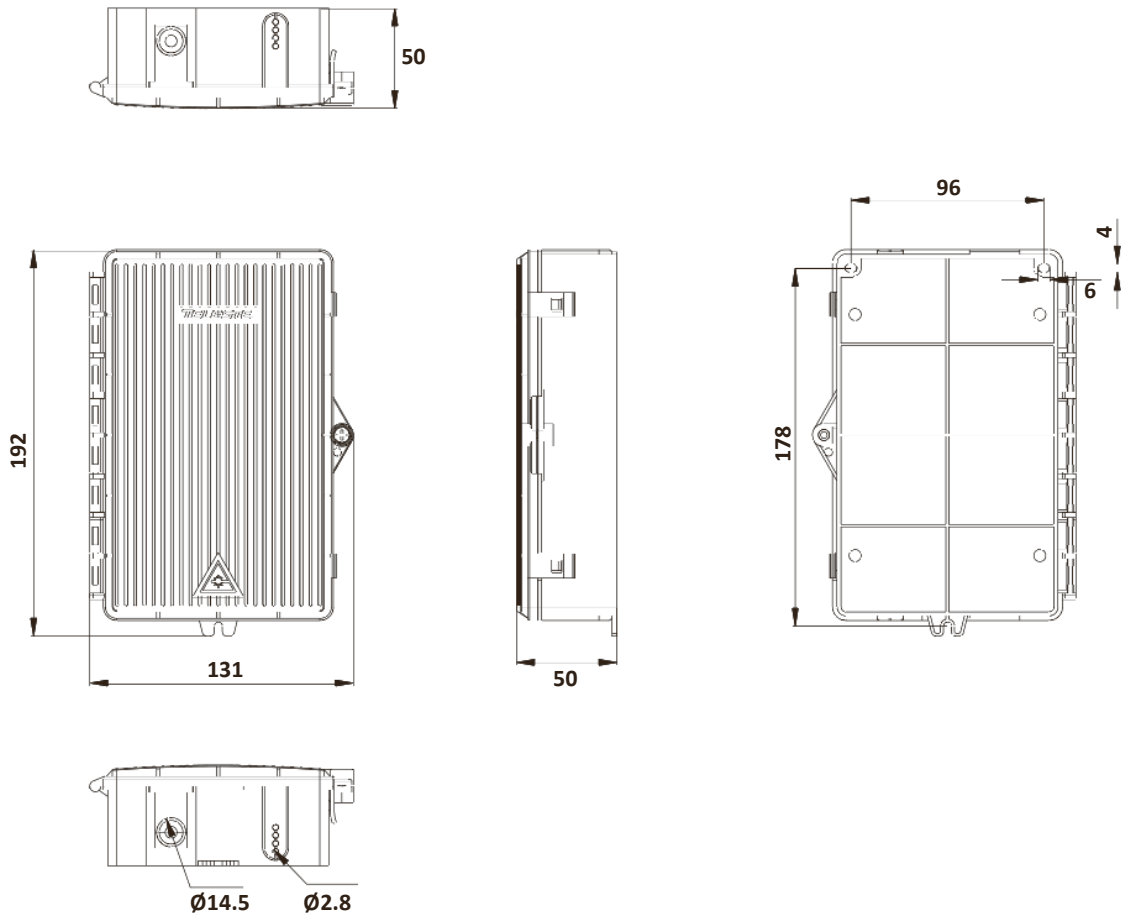


TELESTE

enlighten FTTx PASSIVES / FTTH WALL ENCLOSURE SERIES

GENERAL			
Dimension (LxWxH)	192 x 131 x 50 mm	IP rating	IP65
Material	PC + ABS	Supported adaptors	SC, LC
Operating temperature	-40 - +85 °C	Colour	Black
Flammability	Material Flammability Rating HB acc. UL94		

MECHANICAL LAYOUT



ORDERING INFORMATION	
P/N	DESCRIPTION
TEN-FWB16-0	FTTH Wall Box 16, without Adapters or Pigtails
TEN-FWB16-1SCAP	FTTH Wall Box 16, with SC/APC Adapter and SC/APC Pigtail (G.657.A1)
TEN-FWB16-2SCAP	FTTH Wall Box 16, with 2 x SC/APC Adapter and 2 x SC/APC Pigtail (G.657.A1)
TEN-FWB16-2LCAP	FTTH Wall Box 16, with 1 x LC/APC duplex Adapter and 2 x LC/APC Pigtail (G.657.A1)
TEN-FWB16-4LCAP	FTTH Wall Box 16, with 2 x LC/APC duplex Adapter and 4 x LC/APC Pigtail (G.657.A1)

TELESTE

TELESTE CORPORATION

www.teleste.com

Enlighten FTTH Wall Enclosure TEN-FWB16_240222

Copyright © 2024 Teleste Corporation. All rights reserved. Teleste and the Teleste logo are registered trademarks of Teleste Corporation. Other product and service marks are property of their respective owners.

Teleste reserves the right to make changes to any features and specifications of the products without prior notice. Although the information in this document has been reproduced in good faith, the contents of this document are provided "as is". Teleste makes no warranties of any kind in relation to the accuracy, reliability or contents of this document, except as required by applicable law.