



**PATENT
PENDING**

Underground Distribution Series

CUSTOMER DROP SOLUTIONS

enlighten **TEN-FME4-D** Underground Customer Drop Enclosure

The Teleste FME4-D is a unique underground IP68 enclosure customer drop node for 48 customers, designed for placing in underground chambers, particularly where above ground street cabinets are not allowed or desirable. The enclosure is designed with 6 customer connection modules supporting 8 LC drop connections with optional splitter. The network side of the enclosure supports main cables along with splice trays for business and MDU cabling as needed. The input cable entry glands support microducts or direct cable entry and are IP68 sealed.

Features

- IP68 enclosure with robust closure mechanism
- 48 customer drop cable entries sealed with unique gland design
- Supports 4 main and 8 branch cables
- Splice trays support network cables, business & MDU connections

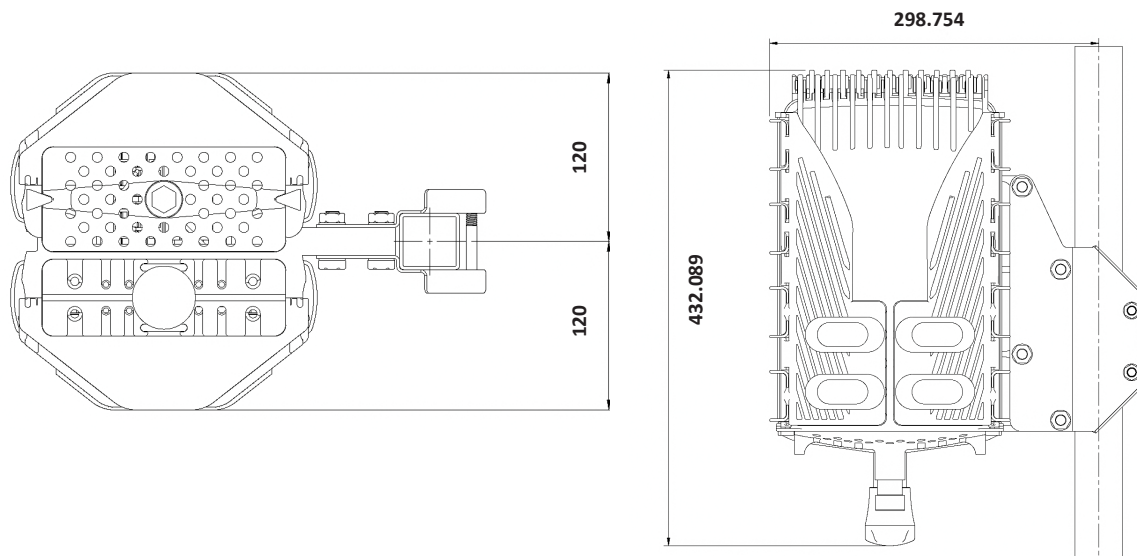


TELESTE

enlighten FTTx PASSIVES / UNDERGROUND DISTRIBUTION SERIES

ENCLOSURE SPECIFICATION			
Incoming network cable entries	4 x Main cables 6.0 - 10.0 mm 8 x Branch cables 4.0 - 6.0mm	Customer drop cable entries	48, Cable range 2.2 – 3.0mm
Cable sealing main & branch cables	IP68 gel sealing block with twist mechanism to tighten	Cable sealing customer drops	IP68 gel sealing block with drop in V shaped wedges, tightened with allen key
Splitters	Network side splitters qty 3 Customer splitters qty 1 per 6 compact splitter modules	IP rating	IP68
Customer Connection	48LC/24SC connectors 8 adapter positions per compact splitter module 6 Compact splitter modules	Cable/Fibre management	Internal features to manage and route fibres from splice trays to compact splitter modules
Dimensions (WxLxD)	230 x 330 x 240 mm	Material	Enclosure PAGF30 + additives splice trays PC ABS + additives Colour Black UV Resistant RAL 9005
Mounting/Fixing	Supports for MOBRA chamber mounting system		

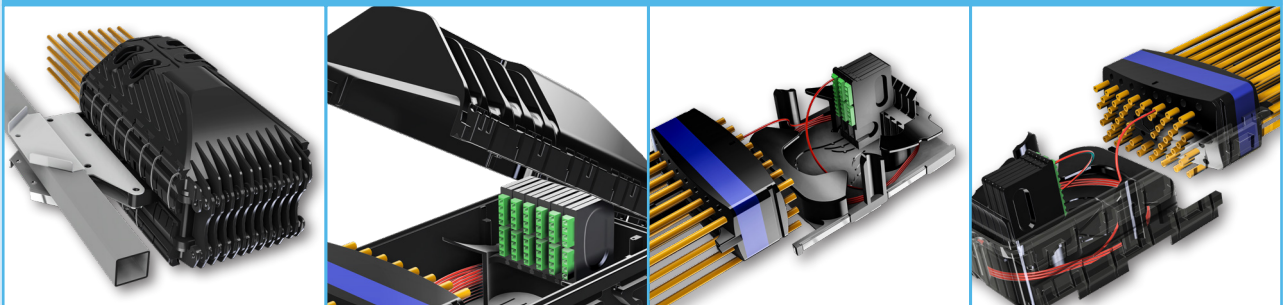
MECHANICAL LAYOUT



FRONT VIEW

TOP VIEW

IMAGE GALLERY



ORDERING INFORMATION

P/N	DESCRIPTION
TEN-FME4-D 48	48 customer drop node IP68



TELESTE CORPORATION
www.teleste.com

Aerial Distribution Enclosure TEN-FME4-D_240905

Copyright © 2024 Teleste Corporation. All rights reserved. Teleste and the Teleste logo are registered trademarks of Teleste Corporation. Other product and service marks are property of their respective owners.

Teleste reserves the right to make changes to any features and specifications of the products without prior notice. Although the information in this document has been reproduced in good faith, the contents of this document are provided "as is". Teleste makes no warranties of any kind in relation to the accuracy, reliability or contents of this document, except as required by applicable law.