

Home amplifier -
single output, active return path

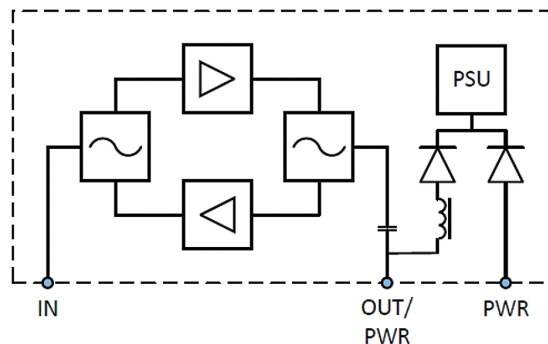
HOME AMPLIFIERS

3HDU-1T12

The 3HDU single-output home amplifier is a reliable two-way active drop amplifier with outstanding performance. It provides an active return path, with a fixed band split. Supporting downstream frequencies up to 1.2 GHz and upstream frequencies up to 204 MHz, it maintains excellent isolation between the paths

3HDU features:

- DOCSIS® 3.1 compatible amplifier
- 1218 MHz downstream and up to 204 MHz upstream
- Excellent isolation between downstream and upstream
- 12 dB down-, and 11 dB upstream gains
- Remote powering via power port with F-connector, or via OUT-port
- Painted housing and LED indicator
- No adjustments needed



HOME AMPLIFIER / 3HDU-1T12

TECHNICAL SPECIFICATIONS ⁽¹⁾			
Downstream signal path		Upstream signal path	
Frequency range	105/204...1218 MHz	Frequency range	15...85/204 MHz
Gain	12 dB	Gain	11 dB
Return loss	18 dB	Return loss	18 dB
Noise figure	5 dB	Noise figure	7 dB
U _{max}	89 dBμV		
GENERAL SPECIFICATIONS ⁽¹⁾			
Connectors	F female	Dimensions	12.5 × 9 × 2.5 cm (w × h × d)
Supply voltage	12 VDC	Operating temperature	-15...+55 °C
Power consumption	4.5 W	ESD	4 kV
Surge	1 kV		
NOTES			
(1) Typical values, please contact a Teleste representative for further information.			
ORDERING INFORMATION			
3HDU-1T12-AR085	Home amplifier, downstream 12 dB gain, upstream 11 dB gain. Delivered in bulk, without power adapter.		
3HDU-1T12-AR204	Same as above but with 204/258 MHz split.		
ACCESSORIES:			
ASH-12VPSU500HDU	External 12 VDC/500 mA power adapter with F connector and UK plug.		
INSIGHTS			
 NO NEED FOR ALIGNMENT...		 LOGISTICS...	
<p>Everyone demands ease of installation. That's why our Home Amplifiers require no alignment or adjustments – just power them on.</p>		<p>Home Amplifiers are delivered in high volumes, and fast deliveries are essential. Teleste's logistics services are tailored and aligned with each customer's requirements.</p>	

TELESTE

TELESTE CORPORATION
www.teleste.com

Home Amplifier 3HDU-1T12_260210

Copyright © 2026 Teleste Corporation. All rights reserved. Teleste and the Teleste logo are registered trademarks of Teleste Corporation. Other product and service marks are property of their respective owners.

Teleste reserves the right to make changes to any features and specifications of the products without prior notice. Although the information in this document has been reproduced in good faith, the contents of this document are provided "as is". Teleste makes no warranties of any kind in relation to the accuracy, reliability or contents of this document, except as required by applicable law.