



Home amplifier - 3-outputs,  
1 Data, 2 TV ports

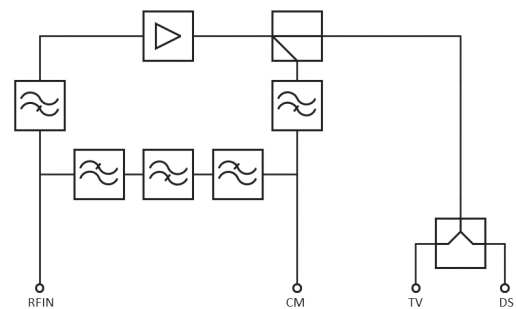
## HOME AMPLIFIERS

# 3NIU-WO-PR085

The 3NIU-WO-PR085 is a 3-output Home Amplifier featuring two unidirectional TV ports and one bidirectional DATA port designed for systems with a 15-85/105-1218 MHz band split. Equipped with a 15 MHz ingress filter on the DATA port, it prevents interference from being introduced into the return path via an external source. Managing ingress noise is crucial for data carrier performance, especially when implementing advanced services in the return path.

### 3NIU-WO-PR085 features:

- DOCSIS® 3.1 compatible amplifier
- 1 bidirectional DATA port
- 2 unidirectional TV ports
- 15 MHz ingress filter on the DATA port
- Passive upstream
- Wall power adapter with earth pin and lightning protection
- LTE proof
- Compatible with 4WO-BEL 2 GHz Wall Outlet



**TELESTE**

## HOME AMPLIFIER / 3NIU-WO-PR085

TECHNICAL SPECIFICATIONS <sup>(1)</sup>			
Downstream signal path		Upstream signal path	
Frequency range	105...1218 MHz	Frequency range	15...85 MHz
Gain		Insertion loss Typ.	1.0...1.4 dB
CM	4 dB		
DS	4 dB		
TV	0 dB		
Return loss	18 dB	Return loss	18 dB
Noise figure	≤ 6 dB	Noise figure	< 2 dB
Isolation	25...30 dB	Ingress suppression	35 dB
U <sub>max</sub>	≥ 80 dBμV		
GENERAL SPECIFICATIONS <sup>(1)</sup>			
Connectors	F female, moulded	Dimensions	8.2 × 8.8 × 3.5 cm (w × h × d)
Supply voltage	220...240 VAC	Operating temperature	0...+40 °C
Power consumption	3 W	ESD	2 kV
Surge	1 kV		
NOTES			
(1) Typical values, please contact a Teleste representative for further information.			
ORDERING INFORMATION			
3NIU-WO-PR085	Plugin 15-85/105-1218 MHz Home Amplifier with 3 outputs, 2 unidirectional TV and 1 bidirectional data. The amplifier is equipped with a wall power adapter with an earth pin.		
INSIGHTS			
<p><b>// A COMPLETE HIGH-QUALITY KIT...</b></p> <p>The 3NIU-WO-PR085 Home Amplifier is compatible with our new, Next Generation Wall Outlet, 4WO-BEL. This compact, semi-isolated wall outlet features Teleste's award-winning integrated coaxial cable clamp technology, ensuring excellent connectivity performance.</p>			

# TELESTE

TELESTE CORPORATION  
[www.teleste.com](http://www.teleste.com)

Home Amplifier 3NIU-WO-PR085\_260209

Copyright © 2026 Teleste Corporation. All rights reserved. Teleste and the Teleste logo are registered trademarks of Teleste Corporation. Other product and service marks are property of their respective owners.

Teleste reserves the right to make changes to any features and specifications of the products without prior notice. Although the information in this document has been reproduced in good faith, the contents of this document are provided "as is". Teleste makes no warranties of any kind in relation to the accuracy, reliability or contents of this document, except as required by applicable law.