

LAST MILE &
CONNECTED
HOME



1794 MHz



492 MHz

RF Amplifiers

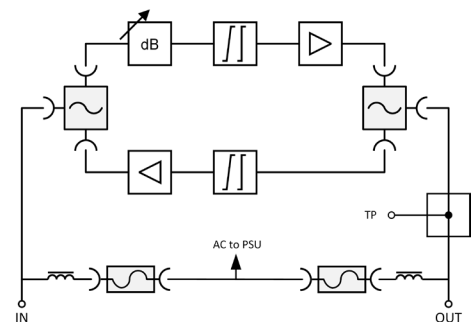
BOOSTER
AMPLIFIERS

ICON100 1.8 GHz BOOSTER AMPLIFIER

Extended Spectrum DOCSIS® (ESD) is one of the great opportunities for operators to get the most out of their existing hybrid fiber and coaxial (HFC) networks. However, the high frequencies up to 1.8 GHz used in these networks are tough on the existing coax cable infrastructure and insist on using the best network components. Maintaining backward compatibility has been one of the basic design principles in the new ICON100 booster amplifier. Although it supports 1.8 GHz and future DOCSIS® 4.0 rollouts, it can also be used in lower frequency networks.

ICON100 features:

- Extended frequency range up to 1794 MHz
- Support for 492 MHz upstream
- Adjustable downstream gain
- Entry ports from sides and bottom
- Fixed slope equalization for both paths
- Adequate dynamic range
- Test point for monitoring
- Efficient surge and ESD protection
- Allows for high feed-through current
- Open-down hinged lid design



TELESTE

INTRODUCING THE ICON100 YOUR COMPACT NETWORK BOOSTER

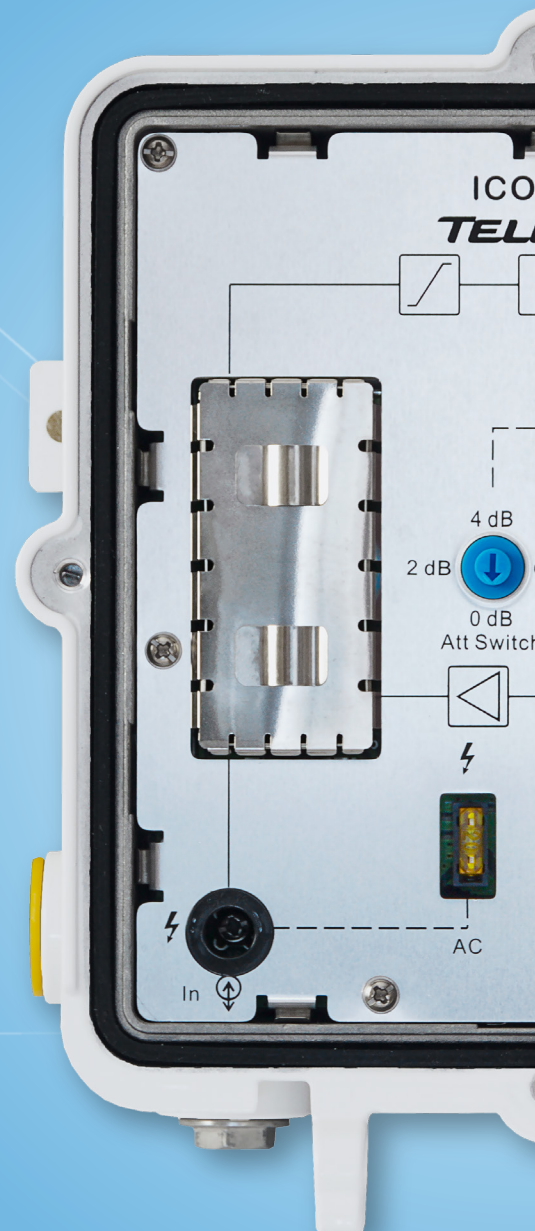
The ICON100 is a compact booster amplifier ideally used on distribution lines when networks are upgraded to a higher frequency band, necessitating compensation for increased cable loss. It's effortless to install, requiring no level adjustments, and can also function as a line equalizer. Plus, it's remotely powered and supports high feed-through current.

Simple and reliable

The ICON100 is a robust, well-performing 1.8 GHz booster amplifier intended for operators who appreciate high performance, cost-efficiency, and easy installation. It stands out as a reliable choice for operators seeking top-notch performance and seamless integration into their networks.

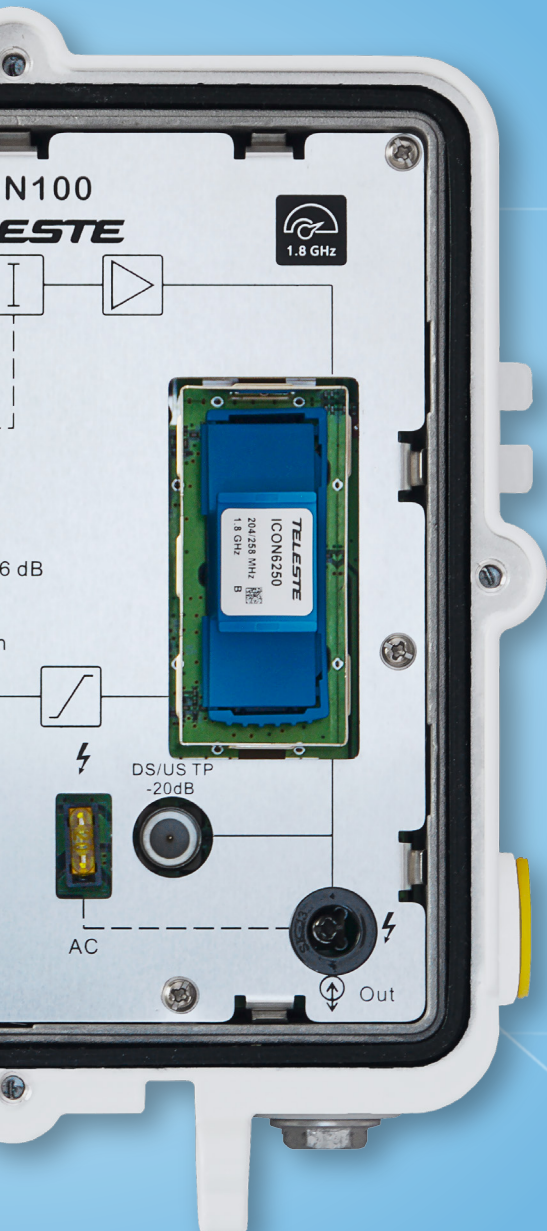
Versatile installation options

The installation of the ICON100 is highly flexible, catering to various mounting options. Whether it's wall or pedestal mounting, pole mounting with tailor-made brackets, or strand mounting using the clamp at the top, this versatility ensures smooth integration into various infrastructure setups, meeting diverse installation requirements.



Excellent capabilities

The ICON100 is specifically crafted for cable broadband operators prioritizing high performance, reliability, and efficiency in a booster amplifier. It supports up to 1.8 GHz downstream and Ultra High Split (UHS) upstream frequencies, featuring a test point for signal presence monitoring. Additionally, it provides support for high feed-through current and efficient ESD and surge protection.



Maximizing network potential

Designed to meet the demands of 1.8 GHz and future DOCSIS 4.0® rollouts, the ICON100 booster amplifier offers versatility by also being compatible with lower frequency networks. We emphasize the importance of utilizing top-tier network components to maximize the potential of existing hybrid fiber and coaxial (HFC) networks.

Replaceable diplex filters

The ICON100 supports replaceable diplex filters:

- 85 MHz/108 MHz
- 204 MHz/258 MHz
- 396 MHz/492 MHz
- 492 MHz/606 MHz

ICON100 / BOOSTER AMPLIFIER

TECHNICAL SPECIFICATIONS ⁽¹⁾			
Downstream signal path		Upstream signal path	
Frequency range	108 ... 1794 MHz	Frequency range	5...492 MHz
Gain	11 dB	Gain	5 dB
Return loss	18 dB	Return loss	18 dB
Input attenuator	0/2/4/6 dB	Equalizer	4 dB
Input equalizer	9 dB	Noise figure	14...9 dB
Noise figure	18...11 dB	TCP	61 dBmV
TCP	59 dBmV/62 dBmV		
GENERAL SPECIFICATIONS ⁽¹⁾			
Connectors	Input and output: 5/8" thread Test point: G type/F male	Dimensions	7.0" × 7.5" × 2.7"
Test point	20 dB	Operating temperature	-40...+140 °F
Supply voltage	30...90 VAC	ESD	4 kV
Power consumption	≤ 7 W	Surge	6 kV
Weight	3.3 lbs		
NOTES			
(1) Typical values, please contact a Teleste representative for further information.			
ORDERING INFORMATION			
ICON100-085	Booster amplifier, 2 x 85/108 MHz diplexers, no connectors		
ICON100-204	Same as above, with 2 x 204/258 MHz diplexers		
ICON100-396	Same as above, with 2 x 396/492 MHz diplexers		
ICON100-492	Same as above, with 2 x 492/606 MHz diplexers		
OPTIONAL ACCESSORIES			
ICON6246	85/108 MHz diplexer, 1.8 GHz		
ICON6250	204/258 MHz diplexer, 1.8 GHz		
ICON6253	396/492 MHz diplexer, 1.8 GHz		
ICON6255	492/606 MHz diplexer, 1.8 GHz		



TELESTE CORPORATION
www.teleste.com

ICON100_Leaflet_260413

Copyright © 2026 Teleste Corporation. All rights reserved. Teleste and the Teleste logo are registered trademarks of Teleste Corporation. Other product and service marks are property of their respective owners. Teleste reserves the right to make changes to any features and specifications of the products without prior notice. Although the information in this document has been reproduced in good faith, the contents of this document are provided "as is". Teleste makes no warranties of any kind in relation to the accuracy, reliability or contents of this document, except as required by applicable law.