



DISTRIBUTION AMPLIFIERS

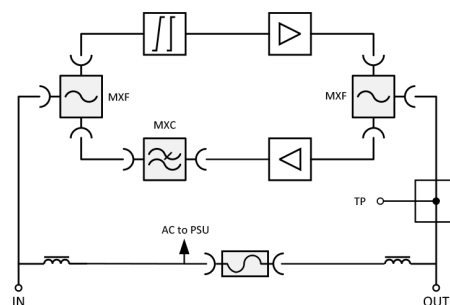
Repeaters

3RE100-10S-AR

The 3RE100-10S-AR is a 5...1218 MHz Amplifier with a fixed 10 dB downstream slope between 85 and 1218MHz, and an active upstream path suited to DOCSIS® 3.1 distribution lines. Once installed in the field, the band split can be easily changed with the use of diplexers and corrector plugins, optimized to provide the smallest insertion losses at the edges of the bands. Downstream path uses GaAs-FET technology, which guarantees the highest U_{max} , CTB and CSO performance with optimal power need.

3RE100-10S-AR features

- Plug-in diplex filters
- Fixed downstream slope equalization
- High performance GaAs-FET Push-Pull in downstream
- High performance Push-Pull amplifier in upstream
- Efficient surge and ESD protection
- Connectors on both sides and on top
- Testpoint on lid
- No adjustments needed



TELESTE

REPEATERS / 3RE100-10S-AR

TECHNICAL SPECIFICATIONS ⁽¹⁾			
Downstream signal path		Upstream signal path	
Frequency range	85...1218 MHz	Frequency range	5...204 MHz
Gain	12.5 dB	Gain	4 dB
Return loss	18 dB	Return loss	18 dB
Input attenuator	-	Input attenuator	-
Input equalizer	10 dB	Interstage attenuator	-
Cable simulator	-	Output attenuator	Plugin
Interstage attenuator	-	Equalizer	Plugin
Interstage equalizer	-	Noise figure	≤ 6 dB
Noise figure	18...7 dB	U _{max} (in)	> 96 dBμV
U _{max}	99 dBμV		
GENERAL SPECIFICATIONS ⁽¹⁾			
Connectors	Input and output: 5/8" thread Test point: F connector	Dimensions	16 × 14 × 8 cm (w × h × d)
Test point	20 dB	Operating temperature	-15...+55 °C
Supply voltage	30...65 VAC	ESD	4 kV
Power consumption	≤ 5 W	Surge	6 kV
Weight	< 1 kg		
NOTES			
(1) Typical values, please contact a Teleste representative for further information.			
ORDERING INFORMATION			
3RE100-10S-AR065	Repeater amplifier, 5-1218 MHz, 10 dB slope with 2 x MXF065 diplexers and 1 x MXC065 upstream plugin		
3RE100-10S-AR065-M2	Same as above, but with MXC065-M2 upstream plugin		
3RE100-10S-AR085	Same as above, but with MXF085 diplexers and MXC085 upstream plugin		
3RE100-10S-AR204	Same as above, but with MXF204 diplexers and MXC204 upstream plugin		
3RE100-10S-AR204-S4	Same as above, but with MXC204-S4 upstream plugin		
OPTIONAL ACCESSORIES			
MXX065 KIT	2 x 65/85 MHz diplexer, 1 x 65 MHz upstream plugin		
MXX065-M2 KIT	Same as above, but with upstream 2 dB attenuator plugin		
MXX065-M4 KIT	Same as above, but with upstream 4 dB attenuator plugin		
MXX085 KIT	2 x 85/105 MHz diplexer, 1 x 85 MHz upstream plugin		
MXX085-M4 KIT	Same as above, but with upstream 4 dB attenuator plugin		
MXX204 KIT	2 x 204/258 MHz diplexer, 1 x 204 MHz upstream plugin		
MXX204-S4 KIT	Same as above, but with upstream 4 dB slope plugin		
MXC065	65 MHz upstream plugin		
MXC065-M2	65 MHz upstream plugin, with 2 dB attenuator		
MXC065-M4	65 MHz upstream plugin, with 4 dB attenuator		
MXC085	85 MHz upstream plugin		
MXC085-M4	85 MHz upstream plugin, with 4 dB attenuator		
MXC204	204 MHz upstream plugin		
MXC204-S4	204 MHz upstream plugin, with 4 dB slope		



TELESTE CORPORATION

www.teleste.com

Teleste_Datasheet_3RE100-10S-AR_260522

Copyright © 2026 Teleste Corporation. All rights reserved. Teleste and the Teleste logo are registered trademarks of Teleste Corporation. Other product and service marks are property of their respective owners.

Teleste reserves the right to make changes to any features and specifications of the products without prior notice. Although the information in this document has been reproduced in good faith, the contents of this document are provided "as is". Teleste makes no warranties of any kind in relation to the accuracy, reliability or contents of this document, except as required by applicable law.