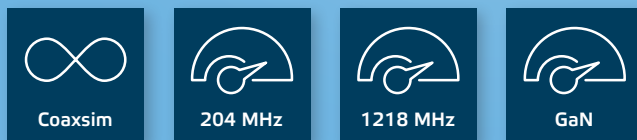


LAST MILE &
CONNECTED
HOME



RF Amplifiers

DISTRIBUTION
AMPLIFIERS

CX3 1.2 GHz UNIVERSAL AMPLIFIER

Teleste CX3 is the latest addition in our extensive range of DOCSIS® 3.1 capable small amplifiers. Designed quality and robustness in mind, the CX3 amplifier is not only providing reliable performance, but also ensuring great usability. All this comes in a compact format, making it a great all-around amplifier for modern bidirectional networks where cost efficiency and easy installation are prime concerns.

The CX3 is a compact dual output amplifier, amplifier with 1.2 GHz frequency range in the downstream and up to 204 MHz in the upstream. The amplifier stages of CX3 are based on a high-performance GaN solution which gives excellent CTB and CSO performance and ensures low power consumption. Adjustments are based on proven technology using electronical controls, thus eliminating the need for the usual plug-in attenuators or equalizers in system setup. The CX3 amplifier combines the advantages of two gain modes and two slope modes making this amplifier universal. With housing protection class of IP67, the CX3 amplifier is designed for use in demanding environments.

TELESTE

CX3

1.2 GHZ UNIVERSAL AMPLIFIER

The CX3 is a compact dual output amplifier. Based on the latest GaN amplifier technology, the CX3 offers high output level (U_{max} 110 dB μ V, 138 channels) and wide gain range, both helpful when networks take the next step and become DOCSIS® 3.1 compliant.

Simple and reliable

CX3 is a robust, well performing 1.2 GHz all-around amplifier, intended for operators who appreciate high performance, cost efficiency and easy installation.

Local user interface

CX3 has a local user interface consisting of a four digit 7-segment display and three push buttons.

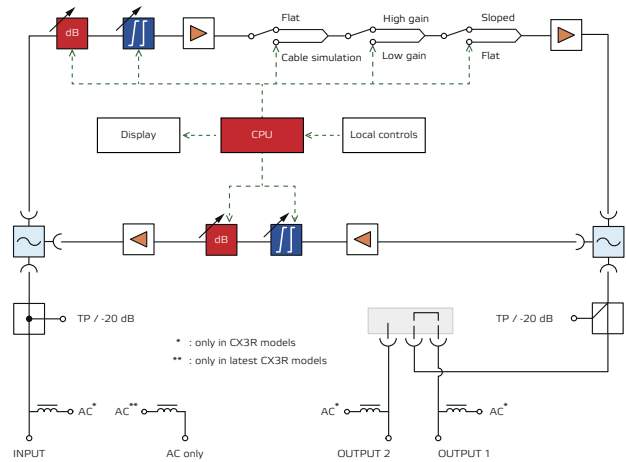
Standard configurations

- **CX3Lxxx** is equipped with 230 V AC power supply with euro plug, 2 x CXDxxx diplex filters installed, 2 x F-female adapters installed, 1 x 5/8" sealing adapter installed, the package includes also 1 x F female and 1 x CXM4 splitter module.
- **CX3Rxxx** is equipped with 65 V AC power supply with euro plug, 2 x CXDxxx diplex filters installed, 2 x 5/8" sealing adapters installed, the package includes also 1 x CXM4 splitter module.



CX3 features

- 1218 MHz downstream
- 204 MHz upstream
- Electrical adjustments with local user interface
- GaN performance
- Cable simulator selection at input
- High gain/low gain selection
- Flat/sloped output selection
- Excellent ESD and surge protection



CX3 block diagram



Smooth migration

The CX3 amplifier can be used in 860 MHz / 1 GHz / 1.2 GHz networks while the return path supports frequencies up to 65 MHz, 85 MHz and 204 MHz.

Configurable for one or two outputs when a splitter / tap module is used.

- CXD065 Diplex filter, 65/85 MHz
- CXD085 Diplex filter, 85/105 MHz
- CXD204 Diplex filter, 204/258 MHz
- CXM4 Output splitter module
- CXM8 Tap module, 8 dB
- CXM14 Tap module, 14 dB

CX3 / 1.2 GHZ UNIVERSAL AMPLIFIER

TECHNICAL SPECIFICATIONS ⁽¹⁾			
Downstream signal path		Upstream signal path	
Frequency range	85...1218 MHz	Frequency range	5...204 MHz
Gain	43 dB	Gain	28 dB
Return loss	18 dB	Return loss	18 dB
Input attenuator	0...20 dB	Output attenuator	0...20 dB
Input equalizer	0...20 dB	Equalizer	0...15 dB
Cable simulator	0 dB/13 dB	Noise figure	6.5 dB
Interstage attenuator	0 dB/8 dB	U _{max} (in)	> 72 dB μ V
Interstage equalizer	0 dB/13 dB		
Noise figure	9 dB		
U _{max}	110 dB μ V		
GENERAL SPECIFICATIONS ⁽¹⁾			
Connectors	External: F female, 5/8" thread Test points: F male	Dimensions	22 x 21 x 8 cm (w x h x d)
Test points	20 dB	Operating temperature	-40...+55 °C
Supply voltage	180...255 VAC / 28...65 VAC	ESD	2 kV
Power consumption	18 W	Surge	6 kV
Weight	2.1 kg		
NOTES			
(1) Typical values, please contact a Teleste representative for further information.			
ORDERING INFORMATION			
CX3L065	Distribution amplifier, 2 x 65/85 MHz diplexers, CXM1 at output, F connectors, 230 VAC power supply with euro plug, includes CXM4 splitter and F connector in the carton		
CX3L085	Same as above (CX3L065), but with 2 x 85/105 MHz diplexers		
CX3L204	Same as above (CX3L065), but with 2 x 204/258 MHz diplexers		
CX3R065	Distribution amplifier, 2 x 65/85 MHz diplexers, CXM1 at output, no connectors, 65 VAC power supply, includes CXM4 splitter in the carton		
CX3R085	Same as above (CX3R065), but with 2 x 85/105 MHz diplexers		
CX3R204	Same as above (CX3R065), but with 2 x 204/258 MHz diplexers		
OPTIONAL ACCESSORIES			
CXM1	Minimum loss module		
CXM4	Two-way splitter module		
CXM8	8 dB tap output module		
CXM14	14 dB tap output module		
CXD065	Diplex filter 65/85 MHz		
CXD085	Diplex filter 85/105 MHz		
CXD204	Diplex filter 204/258 MHz		
KPA002-5/8	Power inserter adapter with cord		



TELESTE CORPORATION
www.teleste.com

Teleste_Datasheet_CX3_260225

Copyright © 2026 Teleste Corporation. All rights reserved. Teleste and the Teleste logo are registered trademarks of Teleste Corporation. Other product and service marks are property of their respective owners.

Teleste reserves the right to make changes to any features and specifications of the products without prior notice. Although the information in this document has been reproduced in good faith, the contents of this document are provided "as is". Teleste makes no warranties of any kind in relation to the accuracy, reliability or contents of this document, except as required by applicable law.