



DH6868VA - 65/85 MHz band split

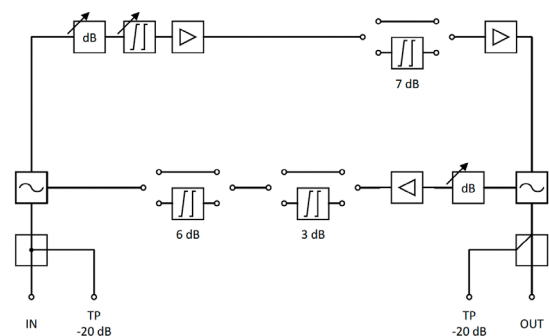
HOUSE CONNECTION AMPLIFIERS

DH6868VA

The DH6868VA is a 1 GHz House Connection Amplifier providing 39 dB downstream gain and 29 dB upstream gain. It features a built-in variable attenuator and variable input equalizer for flexible configuration, enabling precise on-site level and tilt adjustment without the need for separate plug-in modules. Its compact housing ensures straightforward installation, while input and output test points offer convenient signal monitoring during setup and maintenance.

DH6908VA features:

- 1 GHz Bandwidth
- NE-4 Amplifier
- Compact housing
- Input and Output test points
- Downstream gain 39 dB, Upstream gain 29 dB
- Variable 0...18dB attenuator for downstream and upstream
- Variable 0...18dB input equalizer for downstream



TELESTE

HOME AMPLIFIER / DH6868VA

TECHNICAL SPECIFICATIONS ⁽¹⁾			
Downstream signal path		Upstream signal path	
Frequency range	85...1006 MHz	Frequency range	5...65 MHz
Gain	39 dB ± 1 dB	Gain	29 dB ± 1 dB
Return loss	18 dB	Return loss	18 dB
Input attenuator	0...18 dB	Input attenuator	0...18 dB
Input equalizer	0...18 dB	Output slope	0 / 3 / 6 / 9 dB
Interstage slope	0 dB/7 dB	Noise figure	6.0 dB
Noise figure	6 dB	Output level, DIN 45004B	120 dBµV
CTB	100 dBµV		
CSO	100 dBµV		
GENERAL SPECIFICATIONS ⁽¹⁾			
Connectors	F female, external	Dimensions	178 (213) x 100 (110) x 58 mm
Test points	- 20 dB	Operating temperature	-20...+55 °C
Supply voltage	207...255 VAC	ESD	2 kV
Power consumption	7 W	Surge	2 kV
NOTES			
(1) Typical values, please contact a Teleste representative for further information.			
ORDERING INFORMATION			
DH6868VA	House connection amplifier 39 dB / 29 dB		
INSIGHTS			
<p>// PERFORMANCE AT THE PREMISES...</p> <p>Our House Connection Amplifiers combine compact, rugged design with the reliability demanded in modern household distribution networks. Built for cost-efficient rollouts and effortless installation, they offer a dependable, high-performance solution wherever stability and ease of use matter most.</p>		<p>// PROVEN RELIABILITY...</p> <p>Teleste brings decades of field-proven deployments built on tested designs and carefully selected components that ensure long-lasting performance. Our strength lies in listening closely to operators' needs and creating tailored solutions using trusted building blocks that have demonstrated their reliability over time.</p>	

TELESTE

TELESTE CORPORATION
www.teleste.com

DH6868VA_260218

Copyright © 2026 Teleste Corporation. All rights reserved. Teleste and the Teleste logo are registered trademarks of Teleste Corporation. Other product and service marks are property of their respective owners.

Teleste reserves the right to make changes to any features and specifications of the products without prior notice. Although the information in this document has been reproduced in good faith, the contents of this document are provided "as is". Teleste makes no warranties of any kind in relation to the accuracy, reliability or contents of this document, except as required by applicable law.