

IN-HOME NETWORKS

enlighten **TEN-FW05** FTTH WALL OUTLET

This halogen-free Wall Outlet is designed to accommodate the termination of installation cables to pigtails and provide an interface between the network and the customer device, supporting both SC simplex and LC duplex adapters.

Features

- The outlet is suitable for FTTH applications in both Multidwelling Units (MDU) and Single-Family Units (SFU)
- Compact two-parts design (body and cover). The design allows for both wall mounting and DIN rail mounting
- Supports both SC Simplex and LC Duplex adapters
- Accommodates four optical adapters and comes with colour coded optical access ports.
- The outlet is easy to install and comes with a hinged and detachable splice cassette.

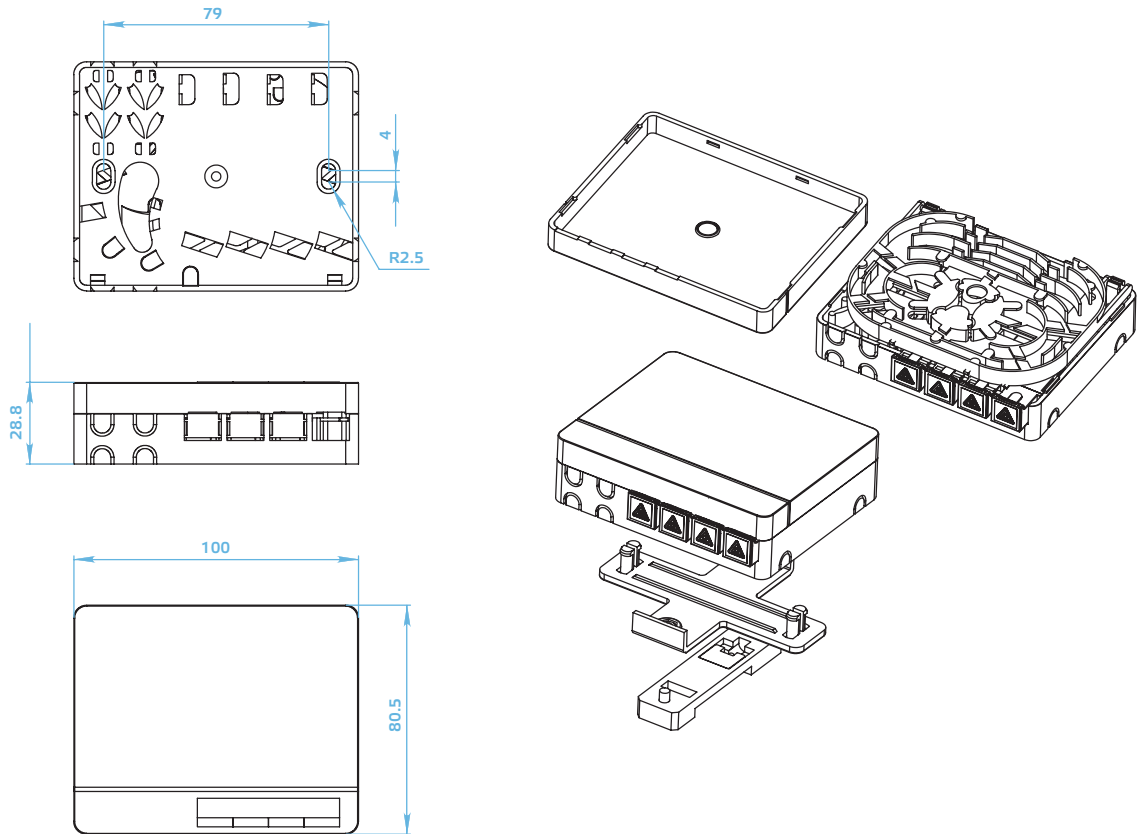


TELESTE

enlighten OPTICAL PASSIVES / FTTH OUTLET SERIES

GENERAL			
Dimension (LxWxH)	100 x 80.5 x 28.8 mm	Weight	0.052 kg
Material	Thermoplastic - Halogen-free (LSZH)	IP Rating	IP 20
UV Resistance	UV stabilized	Supported Adaptors	SC Simplex, LC Duplex
Operating Temperature	-40 - +85 °C	Colour	White (RAL9010)

MECHANICAL LAYOUT



ORDERING INFORMATION	
P/N	DESCRIPTION
TEN-FW05-0	FTTH Wall Outlet 5 without adapters or pigtails
TEN-FW05-2SCAP	FTTH Wall Outlet 5, including 2 x SC/APC adapters and 2 x pigtails
TEN-FW05-4SCAP	FTTH Wall Outlet 5, including 4 x SC/APC adapters and 4 x pigtails
TEN-FW05-2LCA0	FTTH Wall Outlet 5, including 1 x LC/APC adapter, no pigtail
TEN-FW05-4LCASM	FTTH Wall Outlet 5, including 2 x LC/APC shuttered adapters and 4 x coloured pigtails
TEN-FW05-2SCAP-B	FTTH Wall Outlet 5, including 2 x SC/APC Adapters and 2 x Pigtails and DIN rail bracket

TELESTE

TELESTE CORPORATION
www.teleste.com

Enlighten TEN-FW05_260604

Copyright © 2026 Teleste Corporation. All rights reserved. Teleste and the Teleste logo are registered trademarks of Teleste Corporation. Other product and service marks are property of their respective owners.

Teleste reserves the right to make changes to any features and specifications of the products without prior notice. Although the information in this document has been reproduced in good faith, the contents of this document are provided "as is". Teleste makes no warranties of any kind in relation to the accuracy, reliability or contents of this document, except as required by applicable law.