

DISTRIBUTION NODE / OX3

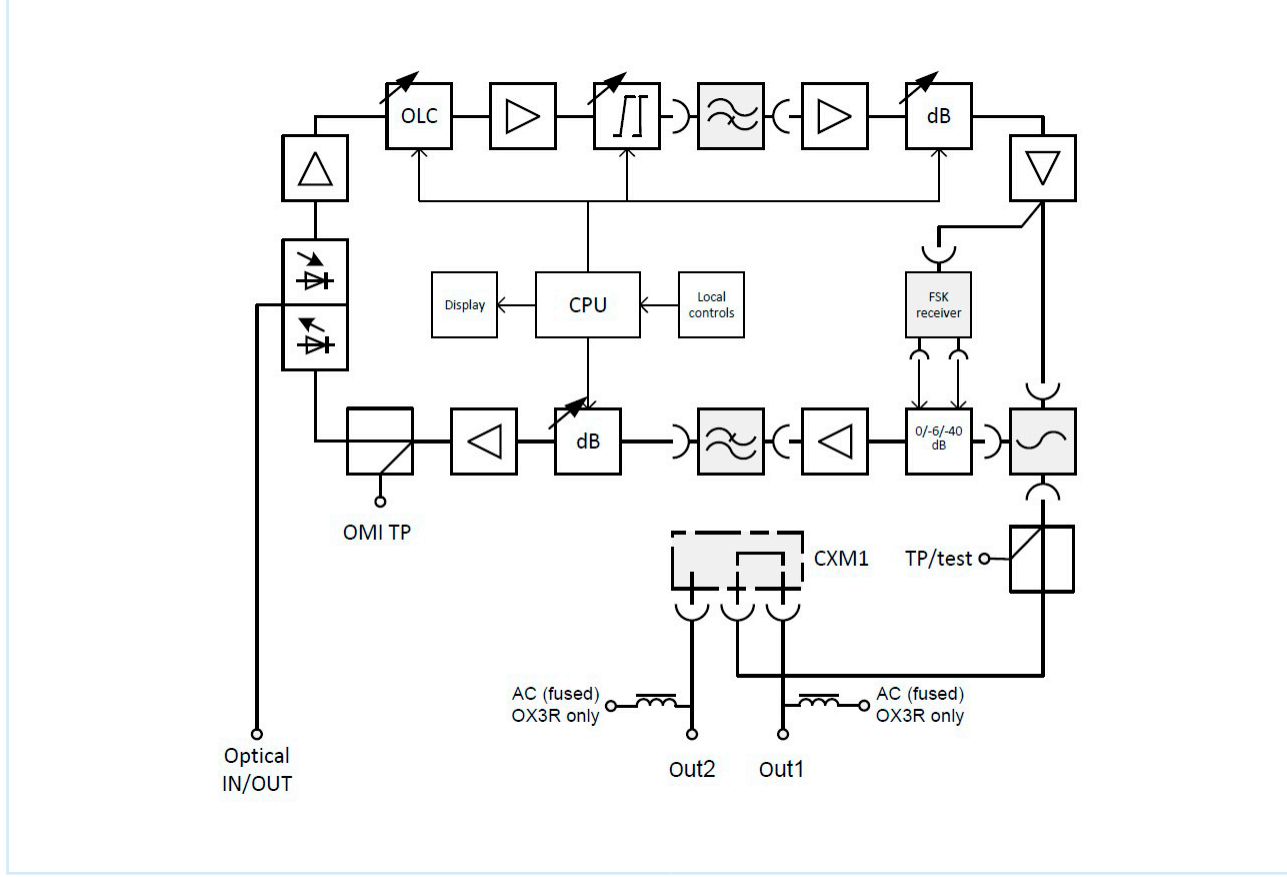
TECHNICAL SPECIFICATIONS ⁽¹⁾			
Downstream signal path		Upstream signal path	
Light wavelength OX3-S1, OX3-S2, OX3-S3 OX3-S4	1550 nm, 1310 nm, 1310 + 1550 nm 1270...1610 nm	Output power	+3 dBm
Optical input power range	-8...0 dBm	Frequency range	5...204 MHz
Frequency range	85...1218 MHz	Return loss	16 dB
Return loss	18 dB	Ingress switching	0 / -6 / < -45 dB
OLC control	-8...0 dBm to -5...0 dBm	Input level	68...85 dBμV
Interstage gain control	0...-18 dB	Level control	0...-18 dB
Slope selection	0...15 dB		
Flatness	± 1 dB		
Noise current density	< 6 pA / √Hz		
U_{max} OX3-S1, OX3-S2, OX3-S3 OX3-S4	107 dBμV 110 dBμV		

GENERAL SPECIFICATIONS ⁽¹⁾			
Supply voltage	30...90 VAC / 180...255 VAC	Dimensions	22 × 21 × 8 cm (w × h × d)
Power consumption	17-18 W	Operating temperature	-20...+55 °C
Max current feedthrough	7 A	ESD	4 kV
Connectors	External: F female, 5/8" thread Test points: F female	Surge	2 kV
Weight	2 kg		

NOTES

(1) Typical values, please contact a Teletec representative for further information.

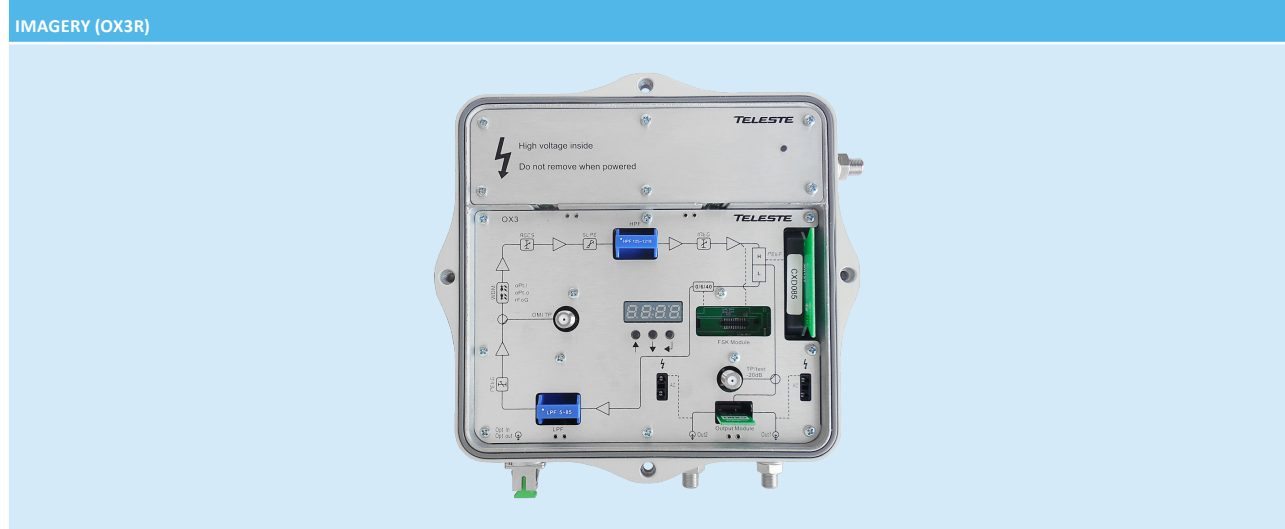
BLOCK DIAGRAM



DISTRIBUTION NODE / OX3

ORDERING INFORMATION	
OX3Lxxx-yyS1	Single fiber compact node, 1550 nm RX. Locally powered.
OX3Lxxx-yyS2	Single fiber compact node, 1310 nm RX. Locally powered.
OX3Lxxx-yyS3	Single fiber compact node, 1310 + 1510 nm RX. Locally powered.
OX3Lxxx-yyS4	Dual fiber compact node, 1270...1610 nm RX. Locally powered.
OX3Rxxx-yyS1	Single fiber compact node, 1550 nm RX. Remote powered.
OX3Rxxx-yyS2	Single fiber compact node, 1310 nm RX. Remote powered.
OX3Rxxx-yyS3	Single fiber compact node, 1310 + 1510 nm RX. Remote powered.
OX3Rxxx-yyS4	Dual fiber compact node, 1270...1610 nm RX. Remote powered.
Available frequency splits (xxx)	All OX3: 065: 65/85 MHz 085: 85/105 MHz 204: 204/258 MHz
Available TX wavelengths (yy)	OX3-S1: 27, 29, 31, 33, 35, 37, 39, 41, 43, 45, 47, 49, 51, 59, 61 OX3-S2: 27, 35, 37, 39, 41, 43, 45, 47, 49, 51, 53, 55, 57, 59, 61 OX3-S3: 27, 29, 33, 35, 37, 39, 41, 43, 45, 47, 49, 51, 53, 57, 59, 61 OX3-S4: 27, 29, 31, 33, 35, 37, 39, 41, 43, 45, 47, 49, 51, 53, 55, 57, 59, 61

OPTIONAL ACCESSORIES	
CXM1	Minimum loss module
CXM4	Two-way splitter module
CXM8	8 dB tap output module
CXM14	14 dB tap output module
OX3K065	Split change kit 65/85 MHz, with 1 x diplexer, 1 x upstream module, 1 x downstream module
OX3K085	Split change kit 85/105 MHz, with 1 x diplexer, 1 x upstream module, 1 x downstream module
OX3K204	Split change kit 204/258 MHz, with 1 x diplexer, 1 x upstream module, 1 x downstream module
CXT001	FSK receiver for Remote Ingress Switching
CXT002	Manual Ingress Switch
AD-012B	F female adapter



TELESTE CORPORATION

www.teleste.com

Teleste_Datasheet_OX3_20260525_v12

Copyright © 2026 Teleste Corporation. All rights reserved. Teleste and the Teleste logo are registered trademarks of Teleste Corporation. Other product and service marks are property of their respective owners.

Teleste reserves the right to make changes to any features and specifications of the products without prior notice. Although the information in this document has been reproduced in good faith, the contents of this document are provided "as is". Teleste makes no warranties of any kind in relation to the accuracy, reliability or contents of this document, except as required by applicable law.