

CONNECTING HOMES

enlighten **TEN-FW012EB** CUSTOMER ENTRY ENCLOSURE

The TEN-FW012EB is a halogen-free Customer Entry Enclosure designed for outdoor fiber termination applications. It enables individual fibers to be exited from a fiber cable via a window cut, allowing service to be delivered directly to a property. The enclosure is IP65 rated, providing protection against dust and water ingress, making it suitable for outdoor use.

Features

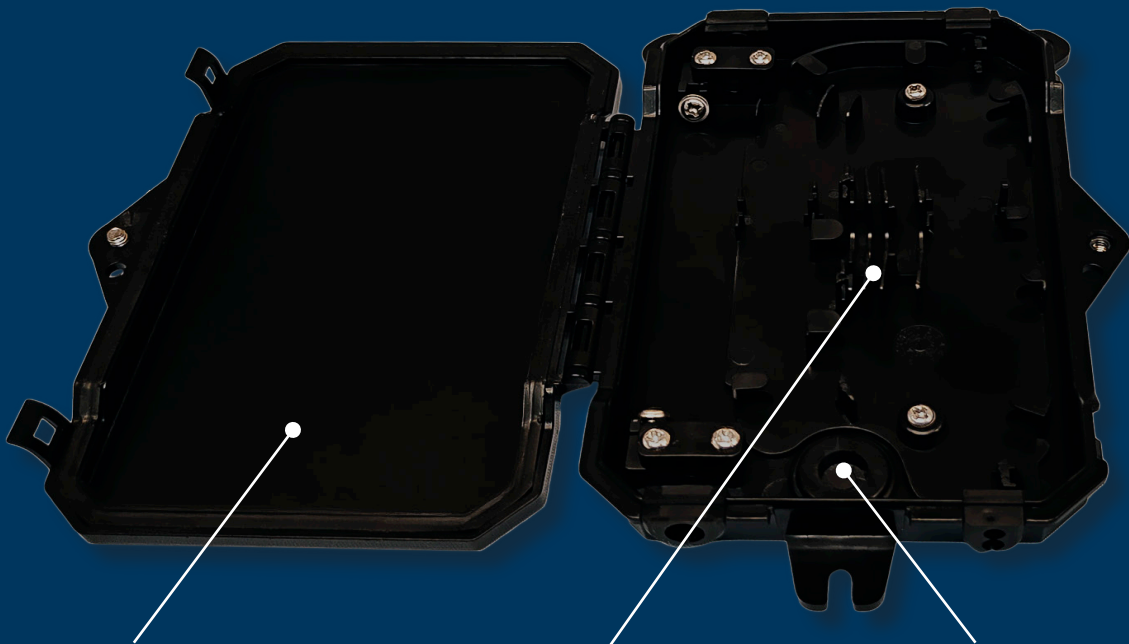
- Hinged lid with secure catches and optional locking screw, IP65 rated
- Supports 2 x SC Simplex and LC Duplex adaptors
- Supports multiple bridge options: splitter/6 fusion splices, 12 fusion splices, or 12 crimp splices
- Pass-through cable support up to 7 mm with strain relief management
- Enables up to 4 customer drops via 2 cable entry ports and a new back entry port
- Available in white, black and grey colour



TEN-FWO12EB FROM ENTRY TO SERVICE - DESIGNED FOR THE DROP

Compact and versatile, TEN-FWO12EB features a new back port and supports up to four customer drops. With modular splice bridges and a refined internal layout, it adapts easily to varied installation scenarios—streamlining fiber deployments in MDUs while maintaining a discreet, durable presence in shared residential spaces.

Elements That Enable Service



Engineered for reliability, the TEN-FWO12EB enclosure features a hinged lid with secure catches and an optional locking screw for added security—ensuring your connections stay protected in any environment. With an IP65 rating, it stands strong against dust, water, and the elements.

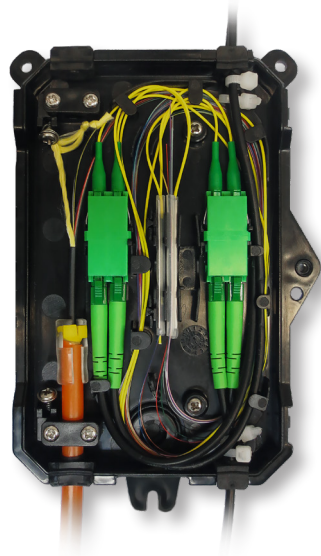
We now offer both fusion and crimp splice bridges as clip-in modules — a small shift that brings greater flexibility. It's easier to stock what matters, support those occasional project specifics, and keep planning straightforward.

By the way, each bridge supports up to 12 splices — just in case you were wondering.

The TEN-FWO12EB takes versatility to the next level with a new back entrance port, complementing the main cable and drop cable entries to offer greater freedom in installation. Inside, a refined cable layout and integrated strain relief keep everything neat, secure, and protected—ensuring long-term performance with minimal maintenance.

From Cable to Customer – Where Service Begins

Optimized for fast, clean installs, the TEN-FWO12EB supports cable pass-through with effective strain relief management, while enabling individual fibers to be neatly exited through a window cut. Built to streamline customer connections in multi-dwelling units (MDUs), it excels in both horizontal and vertical cabling scenarios and supports up to four customer drops—giving installers the flexibility they need to deliver reliable service with confidence.



Mount with Style

Aesthetic by Design: TEN-FWO12EB

A clean and visually appealing installation starts with thoughtful design—and TEN-FWO12EB delivers just that. Available in white, grey, and black, its smooth edges and compact form reflect a modern Scandinavian approach that blends naturally into residential architecture.

We strive to keep the footprint as small as possible, carefully balancing size with practicality. The result is an enclosure that fits discreetly into shared spaces without compromising usability. Made from durable, high-quality plastics, TEN-FWO12EB resists scratches, fading, and aging—ensuring it stays looking sharp for years to come.

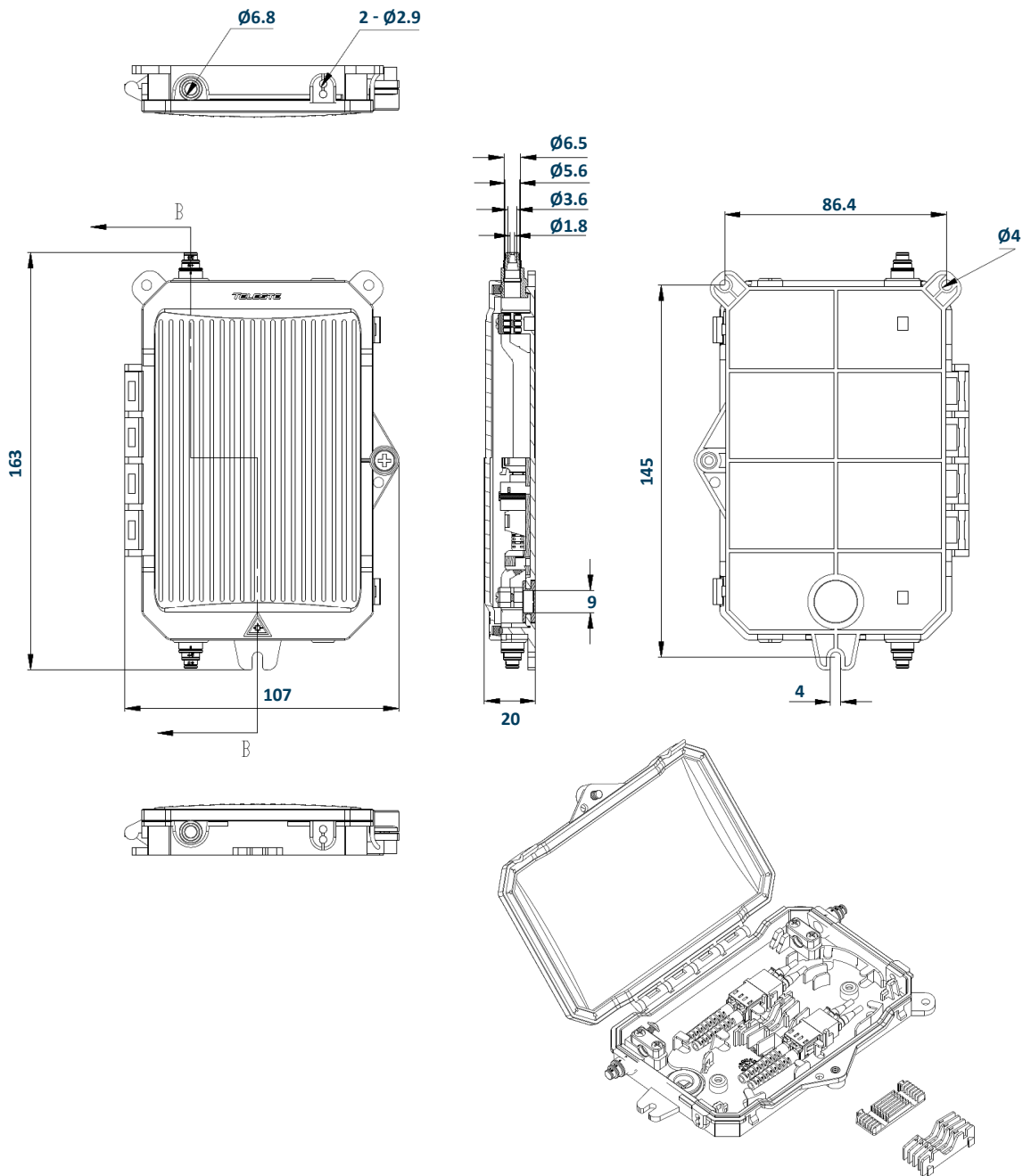


enlighten FTTx PASSIVES / TEN-FW012EB CUSTOMER ENTRY ENCLOSURE


SPECIFICATIONS

Entry Ports	2 ports Φ 2-7mm (main) 4 ports Φ 2-4mm (drop) 1 port Φ 0-9mm (back)	Number of Splices	12
Dimension (LxWxH)	155.5 x 106 x 20 mm	IP Rating	IP65
Material	Thermoplastic - Halogen-free (LSZH)	Supported Adapters	SC sx TEN-A12SGTN (APC) & TEN-A22SBTN (UPC) LC dx TEN-A32DGBN (APC) & TEN-A42DBBN (UPC)
Material Flammability Rating	HB (UL94)	UV Resistance	UV stabilized
Splitter Support (Dim / type)	Housing: 1pc (4x7x50mm) 1pc upto 1:8 (900 μ m) 1pc upto 1:8 (250 μ m)	Color	White (RAL9010), Grey (RAL7035) or Black (RAL9005)
Operating Temperature	-40 - +85 °C		

MECHANICAL LAYOUT



enlighten FTTx PASSIVES / TEN-FWO12EB CUSTOMER ENTRY ENCLOSURE

ORDERING INFORMATION	
P/N	DESCRIPTION
TEN-FWO12EB-G	FTTH wall outlet 12 Building Entry, Grey
TEN-FWO12EB-W	FTTH wall outlet 12 Building Entry, White
TEN-FWO12EB-B	FTTH wall outlet 12 Building Entry, Black
TEN-FWO12EB-1SCA0-G	FTTH wall outlet 12 Building Entry with 1 SC/APC adapter, Grey
TEN-FWO12EB-1SCA0-W	FTTH wall outlet 12 Building Entry with 1 SC/APC adapter, White
TEN-FWO12EB-1SCA0-B	FTTH wall outlet 12 Building Entry with 1 SC/APC adapter, Black
TEN-FWO12EB-2LCA0-G	FTTH wall outlet 12 Building Entry with 1 LC/APC duplex adapter, Grey
TEN-FWO12EB-2LCA0-W	FTTH wall outlet 12 Building Entry with 1 LC/APC duplex adapter, White
TEN-FWO12EB-2LCA0-B	FTTH wall outlet 12 Building Entry with 1 LC/APC duplex adapter, Black
TEN-FWO12EB-1SCAP-G	FTTH wall outlet 12 Building Entry with 1 SC/APC adapter and pigtail, Grey
TEN-FWO12EB-1SCAP-W	FTTH wall outlet 12 Building Entry with 1 SC/APC adapter and pigtail, White
TEN-FWO12EB-1SCAP-B	FTTH wall outlet 12 Building Entry with 1 SC/APC adapter and pigtail, Black
TEN-FWO12EB-2SCAP-G	FTTH wall outlet 12 Building Entry with 2 SC/APC adapter and pigtail, Grey
TEN-FWO12EB-2SCAP-W	FTTH wall outlet 12 Building Entry with 2 SC/APC adapter and pigtail, White
TEN-FWO12EB-2SCAP-B	FTTH wall outlet 12 Building Entry with 2 SC/APC adapter and pigtail, Black
ACCESSORIES:	
TEN-FWO12EB-SPBF-B	Clip-in splice bridge - fusion, black
TEN-FWO12EB-SPBC-B	Clip-in splice bridge – crimp, black, 2 pcs
TEN-FWO12EB-SPLB-B	Clip-in splitter bridge, black
	
	Clip-in splice bridge - crimp Clip-in splice bridge - fusion Clip-in 4mm splitter/6 splices
TEN-FWO12EB-CG6	Cable gland, 6 mm (optional)
TEN-FWO12EB-CGP	Cable gland pyramid from 2-7 mm (Standard: 2 pcs pre-installed per enclosure)
ADAPTERS	
Note: Only flangeless adapters are supported	
TEN-A12SGTN	Adapter SC/APC Standard Simplex Green with Transparent dust cap, flangeless
TEN-A22SBTN	Adapter SC/UPC Standard Simplex Blue with Transparent dust cap, flangeless
TEN-A32DGBN	Adapter LC/APC Standard Duplex Green with White dust cap, flangeless
TEN-A42DBBN	Adapter LC/UPC Standard Duplex Blue with White dust cap, flangeless

TELESTE

TELESTE CORPORATION

www.teleste.com

Enlighten Fibre Outlet Series TEN-FWO12EB_260604

Copyright © 2026 Teleste Corporation. All rights reserved. Teleste and the Teleste logo are registered trademarks of Teleste Corporation. Other product and service marks are property of their respective owners.

Teleste reserves the right to make changes to any features and specifications of the products without prior notice. Although the information in this document has been reproduced in good faith, the contents of this document are provided "as is". Teleste makes no warranties of any kind in relation to the accuracy, reliability or contents of this document, except as required by applicable law.